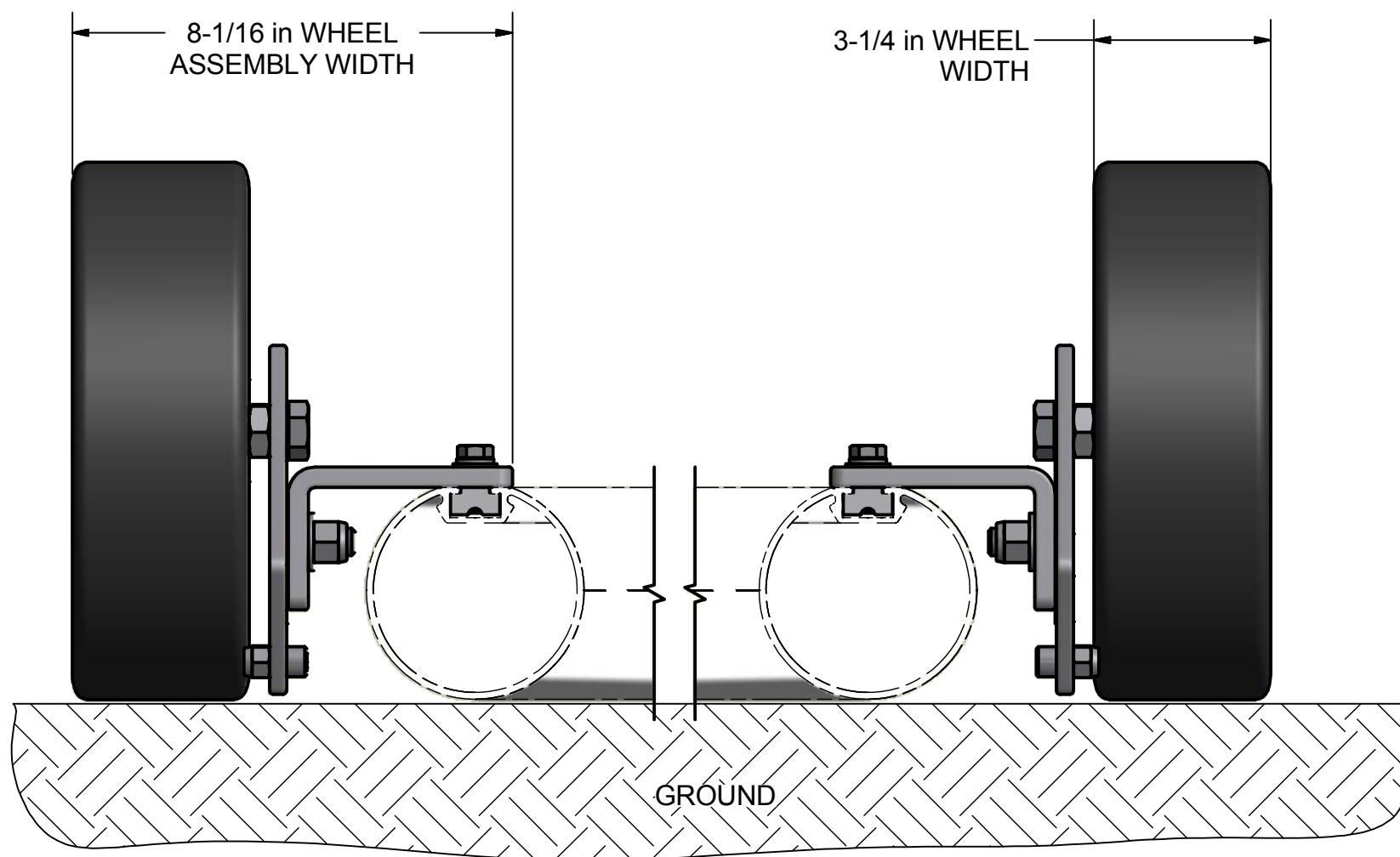
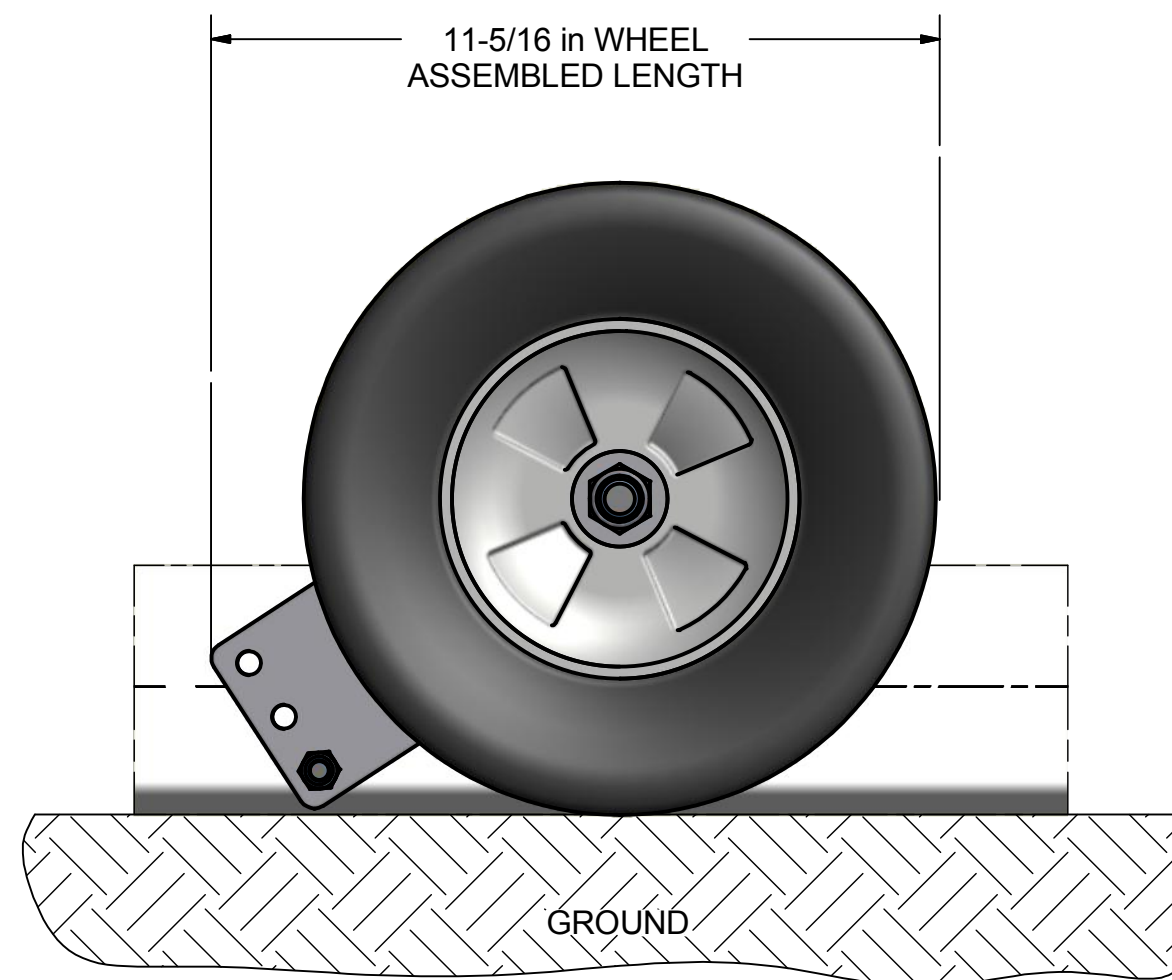


FRONT VIEW



SIDE VIEW

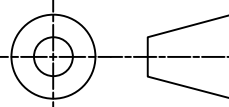



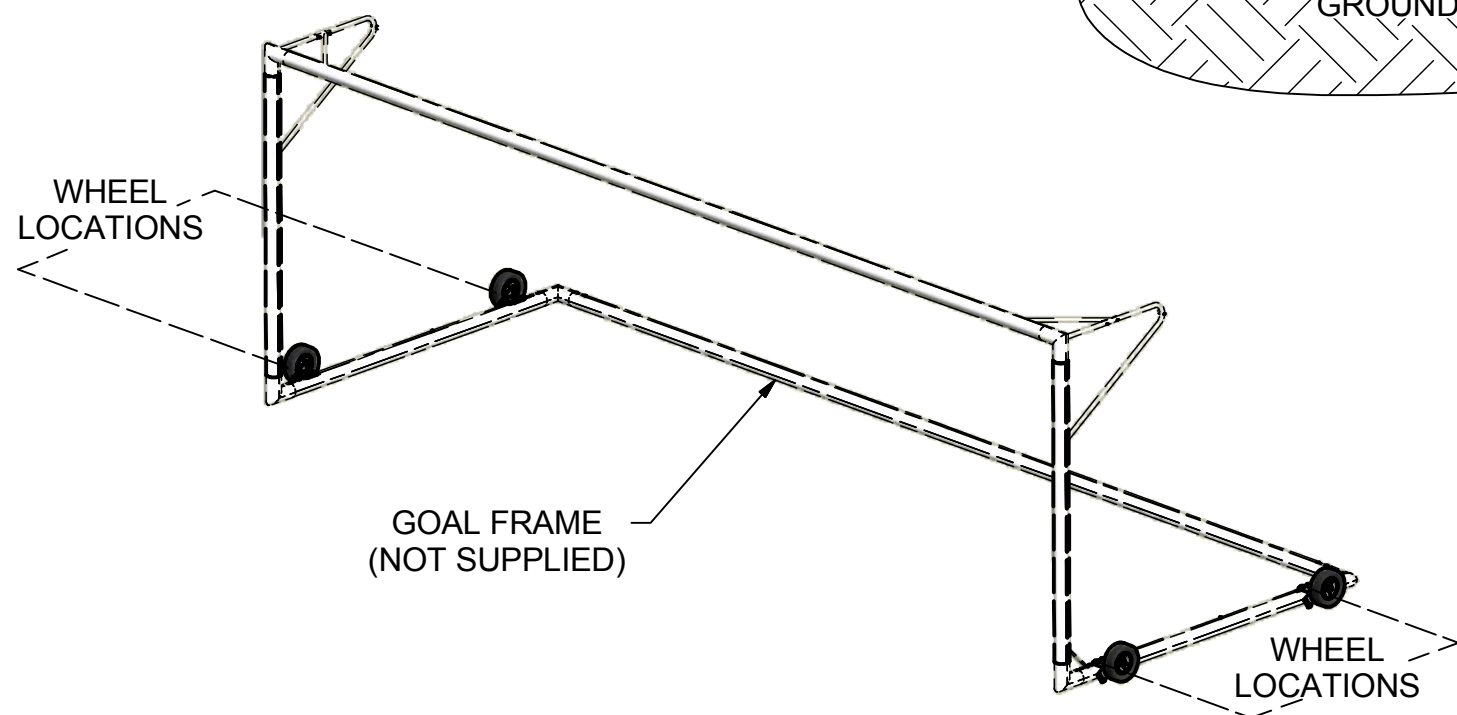
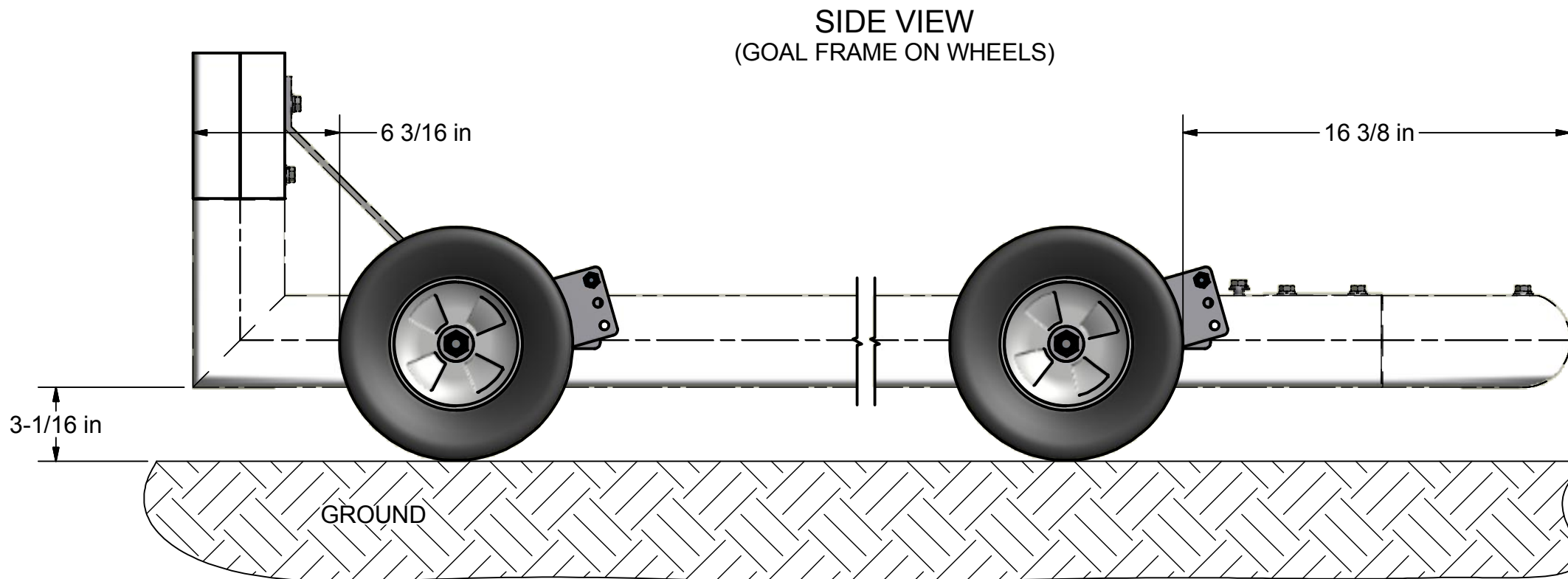
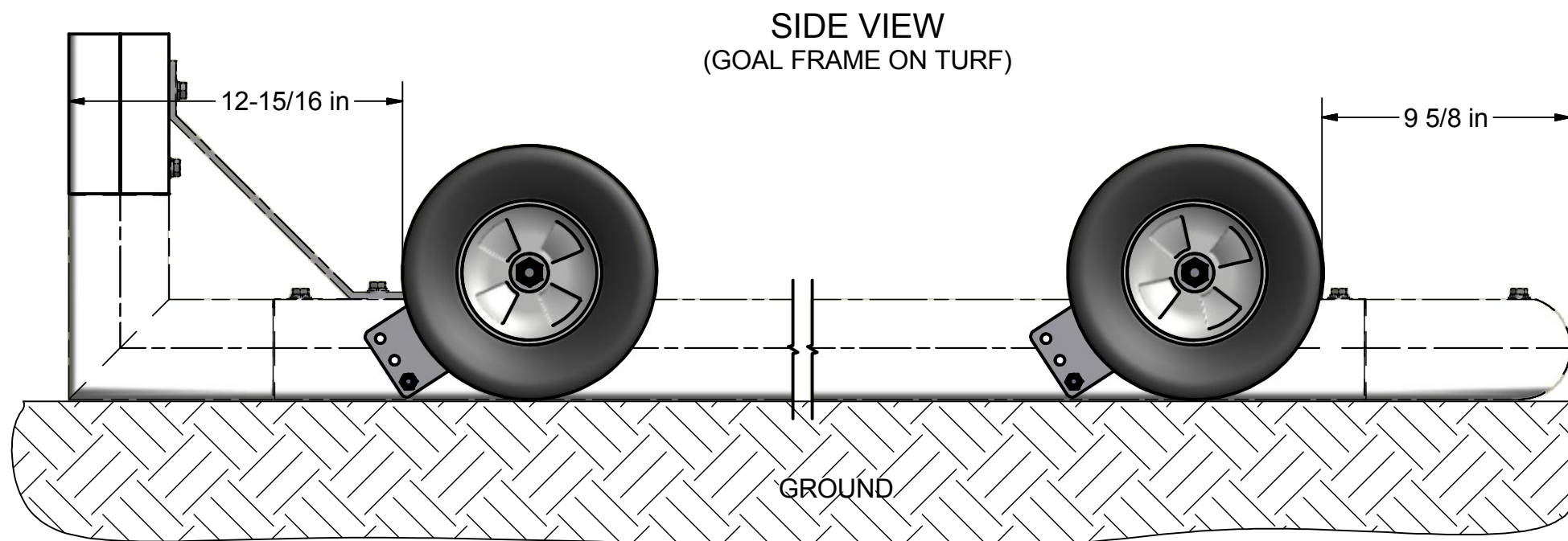
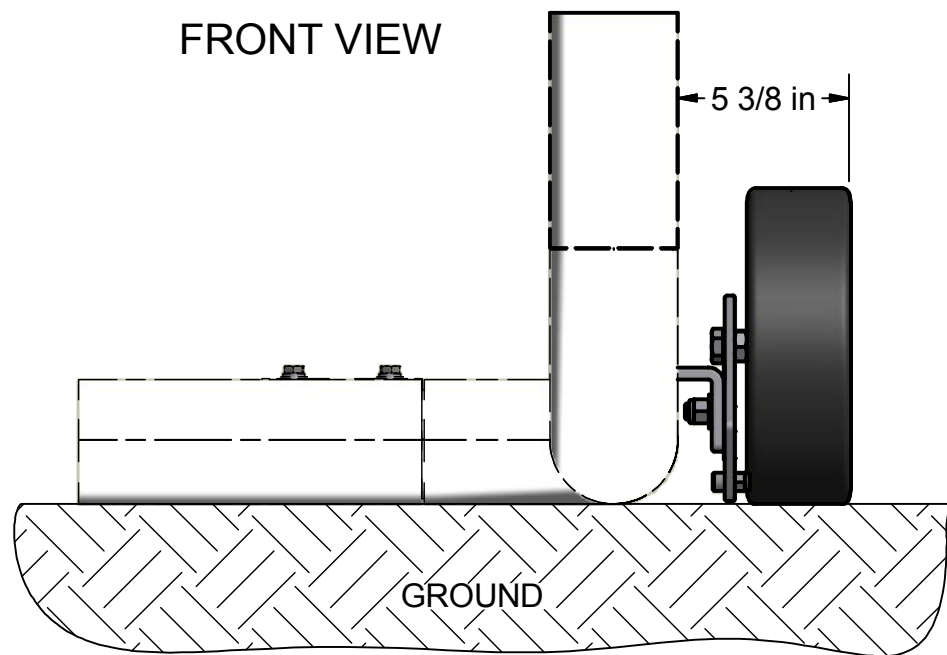
NOTE:
GOAL FRAME SHOWN, BUT **NOT** SUPPLIED

FEATURES:

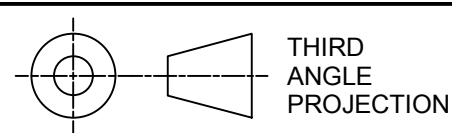
- 1) 4 ROTATING WHEEL ASSEMBLIES TO LIFT GOAL FRAME FOR EASY MOVABILITY
- 2) INCLUDES:
NO-FLAT TIRES
ROTATING STEEL MOUNTING BRACKET
- 3) TOTAL WEIGHT: 45lbs PER SET

Finish Info.

 <p>THIRD ANGLE PROJECTION</p>	 <p>140 Pacific Drive Quakertown, Pa. 18951</p>	
	<p>DIMENSIONS ARE IN INCHES UNLESS OTHERWISE SPECIFIED</p>	<p>Approved By:</p> <p>Date:</p>
<p>This item is the exclusive property of KWIK GOAL LTD. Reproduction or duplication without the express written consent of KWIK GOAL LTD. is strictly forbidden.</p>	<p>Drawn By: BRush</p> <p>Date: 7/15/2003</p> <p>Sheet: 1 of 4</p> <p>Revision #: 2</p> <p>Cad File: 10B409.idw</p>	<p>Desc:</p> <p>WHEEL OPTION - EURO MATCH/FUSION</p>



NOTE:
GOAL FRAME SHOWN, BUT **NOT** SUPPLIED



KWIKGOAL® 140 Pacific Drive
Quakertown,
Pa. 18951

DIMENSIONS ARE IN INCHES
UNLESS OTHERWISE SPECIFIED

Approved By:

Part #:

Date:

10B409

This item is the **exclusive** property of **KWIK GOAL LTD.** Reproduction or duplication **without** the express written consent of **KWIK GOAL LTD.** is **strictly forbidden.**

Drawn By: BRush

Desc:

Date: 7/15/2003

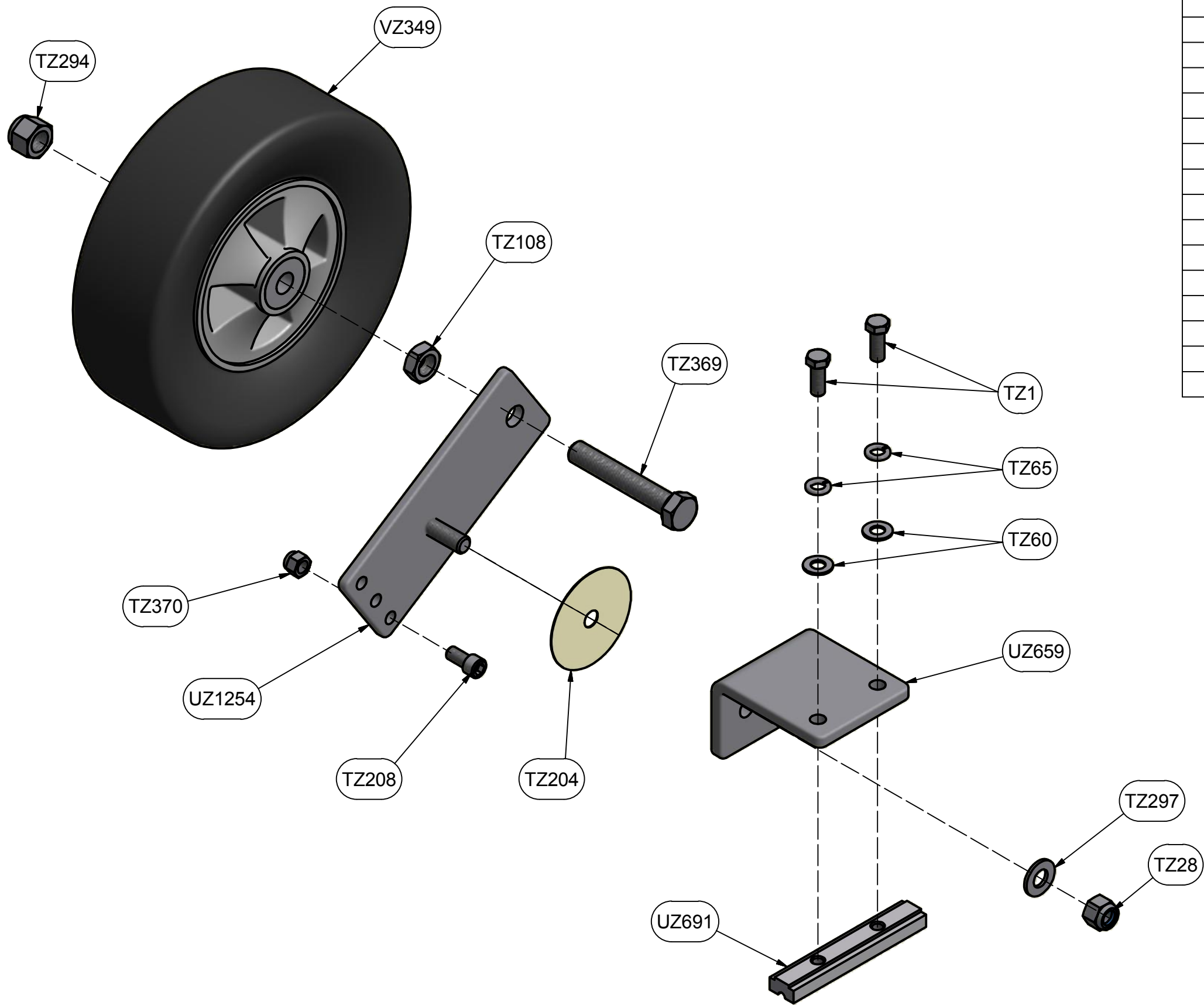
Sheet: 2 of 4

WHEEL OPTION - EURO MATCH/FUSION

Revision #: 2

Cad File: 10B409.idw

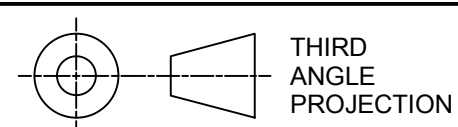
Finish Info.



Parts List		
Part #	Qty	Description
UZ1254	4	PLATE, WHEEL STOP
UZ659	4	MOUNTING BRACKET, WHEEL
UZ691	4	THREADED CHANNEL SPACER
VZ349	4	FLAT PROOF TIRE
TZ1	8	3/8-16 x 1 Hex Bolt
TZ28	4	1/2-13 Lock Nut
TZ60	8	3/8 FLAT WASHER
TZ65	8	3/8 LOCK WASHER
TZ108	4	5/8-11 HEX JAM NUT
TZ294	4	5/8-11 Lock Nut
TZ369	4	5/8-11 x 3 1/2 Hex Bolt
TZ370	4	3/8-16 Lock Nut
TZ204	4	1/2 FLAT WASHER
TZ208	4	3/8-16 x 3/4 Soc Hd Cap Scr
TZ297	4	1/2 FLAT WASHER, SAE

NOTE:
LEFT HAND SHOWN - FOR COMPLETE ASSEMBLY
SEE INSTRUCTIONS.

Finish Info.



KWIKGOAL® 140 Pacific Drive
Quakertown,
Pa. 18951

DIMENSIONS ARE IN INCHES
UNLESS OTHERWISE SPECIFIED

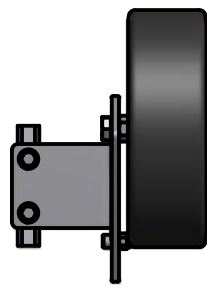
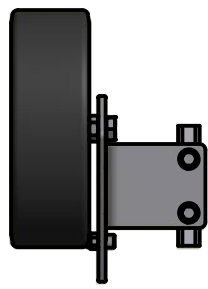
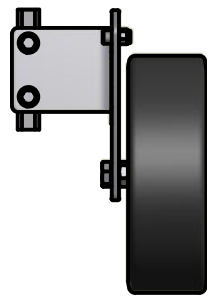
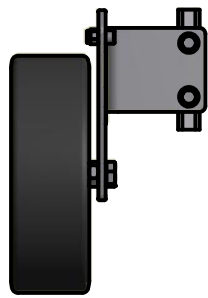
Approved By:
Date:

Part #:
10B409

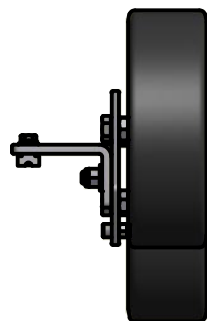
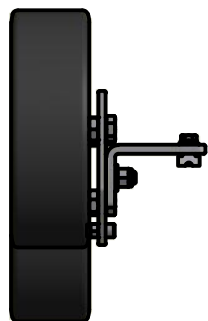
This item is the **exclusive**
property of **KWIK GOAL LTD.**
Reproduction or duplication
without the express written
consent of **KWIK GOAL LTD.**
is **strictly forbidden.**

Drawn By: BRush
Date: 7/15/2003
Sheet: 3 of 4
Revision #: 2
Cad File: 10B409.idw

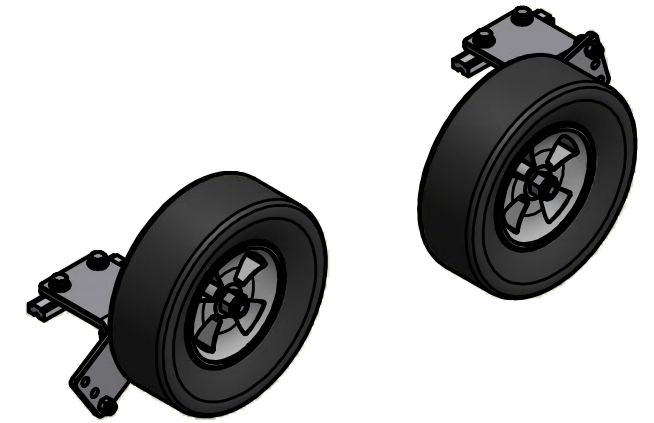
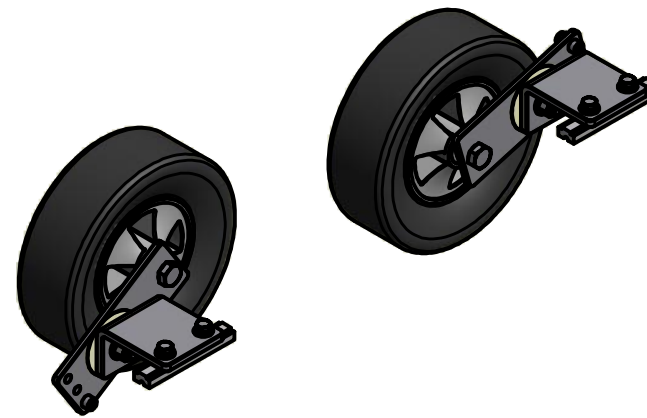
Desc:
WHEEL OPTION - EURO
MATCH/FUSION



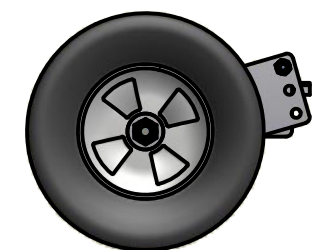
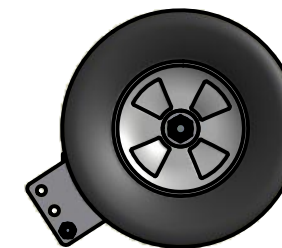
KWIK GOAL LTD.
10B409
TOP VIEW



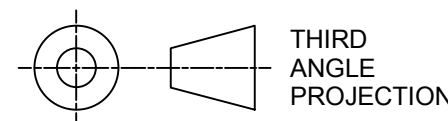
KWIK GOAL LTD.
10B409
FRONT VIEW



KWIK GOAL LTD.
10B409
ISOMETRIC VIEW



KWIK GOAL LTD.
10B409
RIGHT VIEW



THIRD
ANGLE
PROJECTION



KWIKGOAL

140 Pacific Drive
Quakertown,
Pa. 18951

DIMENSIONS ARE IN INCHES
UNLESS OTHERWISE SPECIFIED

Approved By:

Part #:

Date:

10B409

This item is the **exclusive**
property of **KWIK GOAL LTD.**
Reproduction or duplication
without the express written
consent of **KWIK GOAL LTD.**
is **strictly forbidden.**

Drawn By: BRush

Desc:

Date: 7/15/2003

Sheet: 4 of 4

WHEEL OPTION - EURO
MATCH/FUSION

Revision #: 2

Cad File: 10B409.idw

Finish Info.