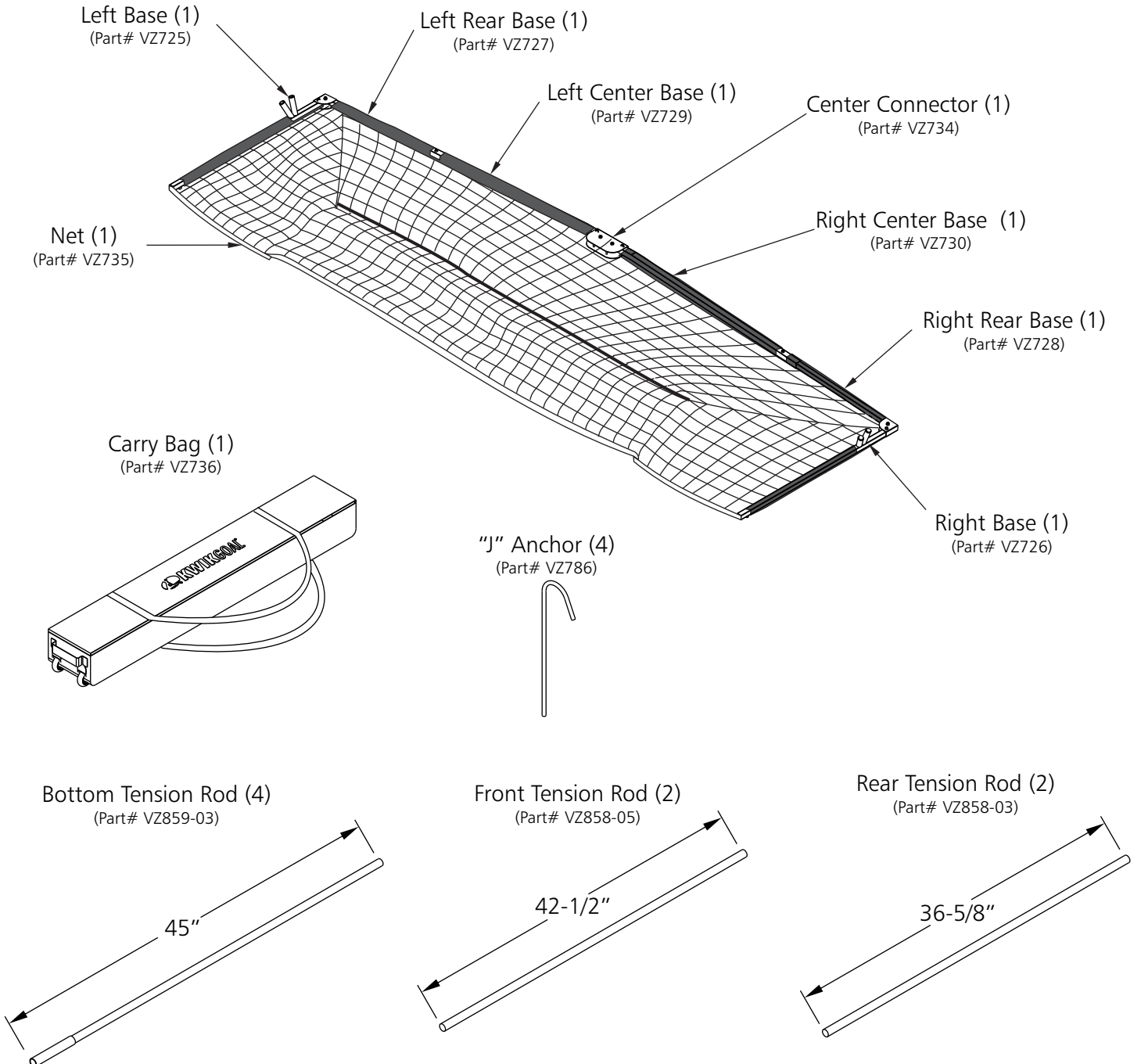




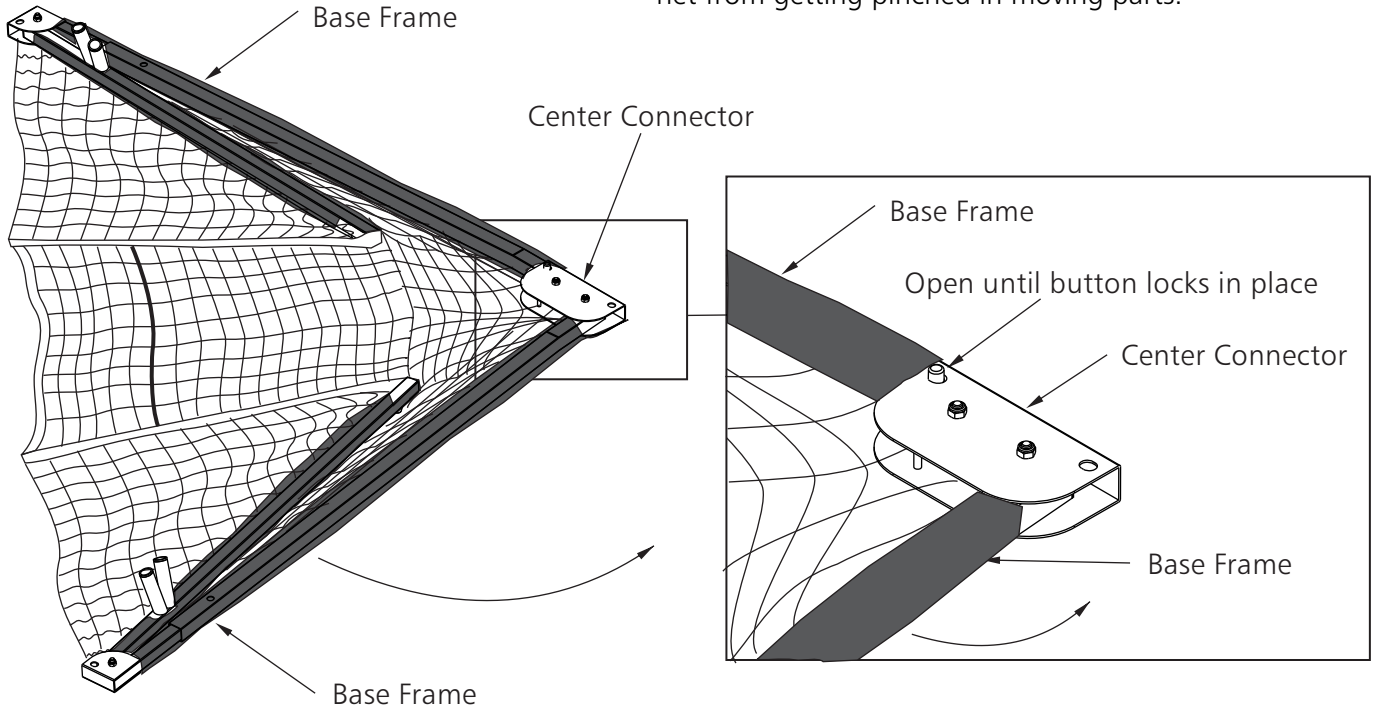
ASSEMBLY INSTRUCTIONS FOR 2B1703 KWIK FLEX® GOAL

1. Unpack all parts and check for damage that may have occurred during shipping. If damage has occurred, notify Kwik Goal immediately. Lay out all parts. Remove all cardboard and packaging immediately. Wet or damp packaging may damage contents.

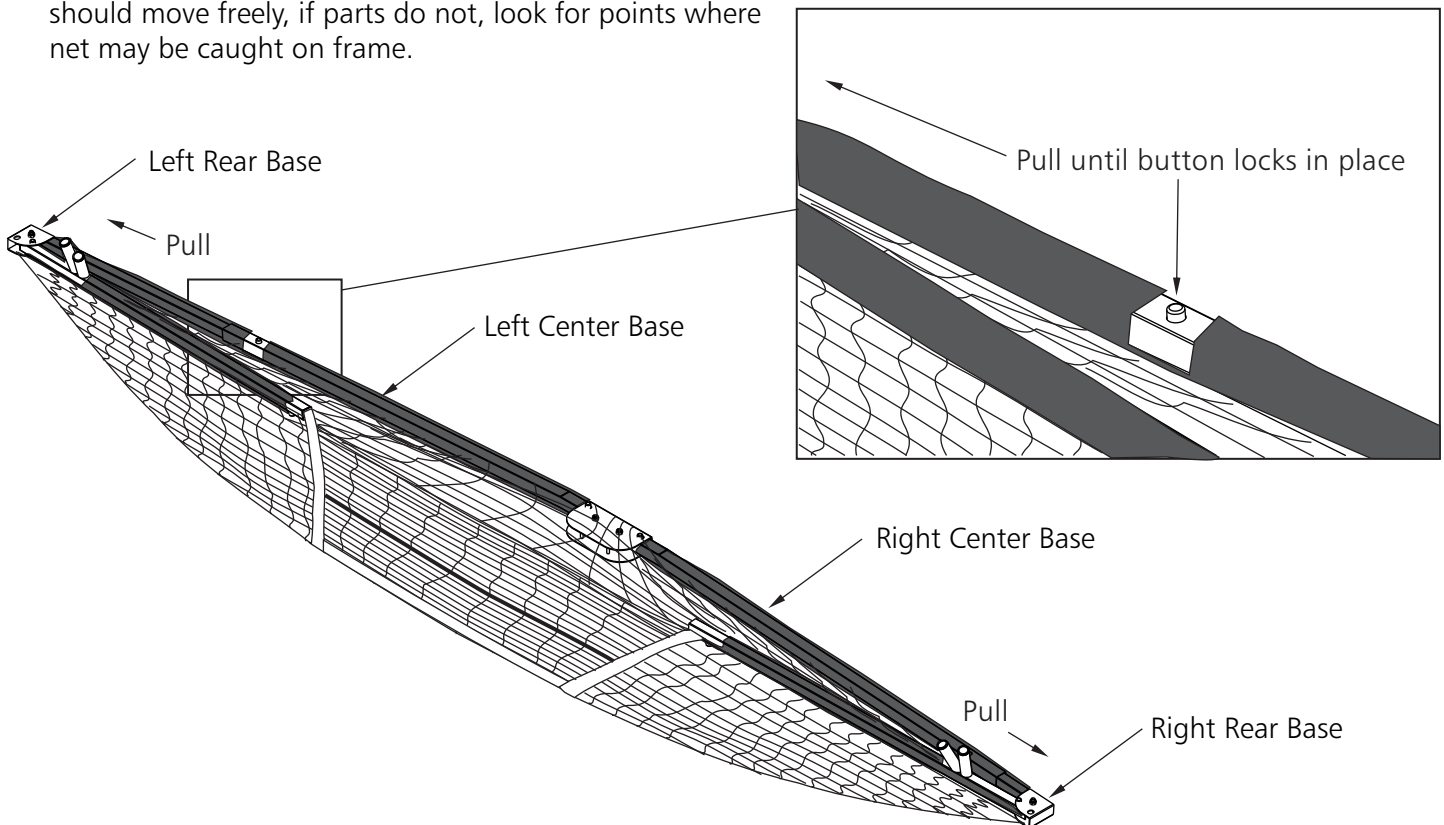
Parts



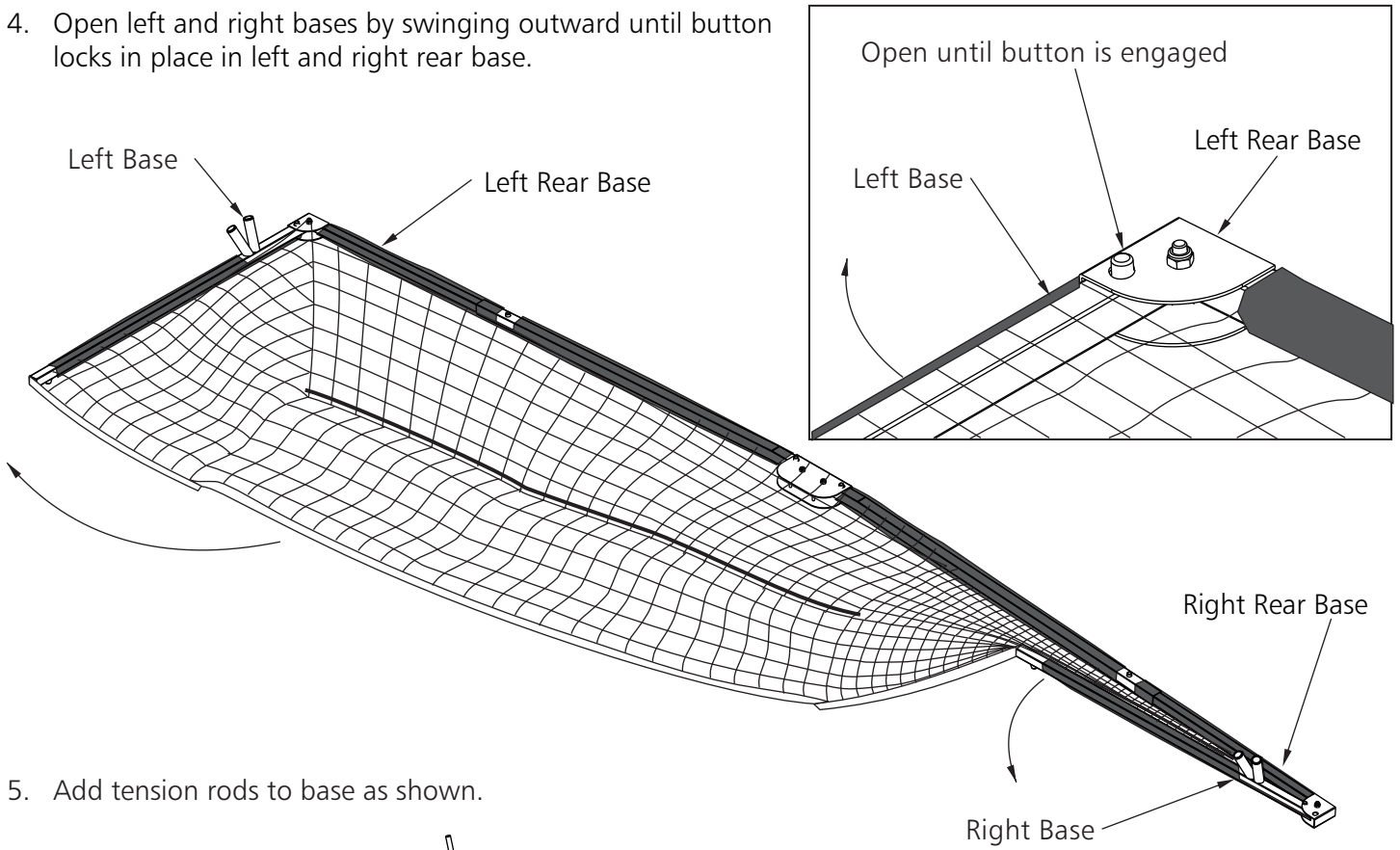
2. Open base frame by swinging outward until button locks in place in center connector as shown. Use care to keep net from getting pinched in moving parts.



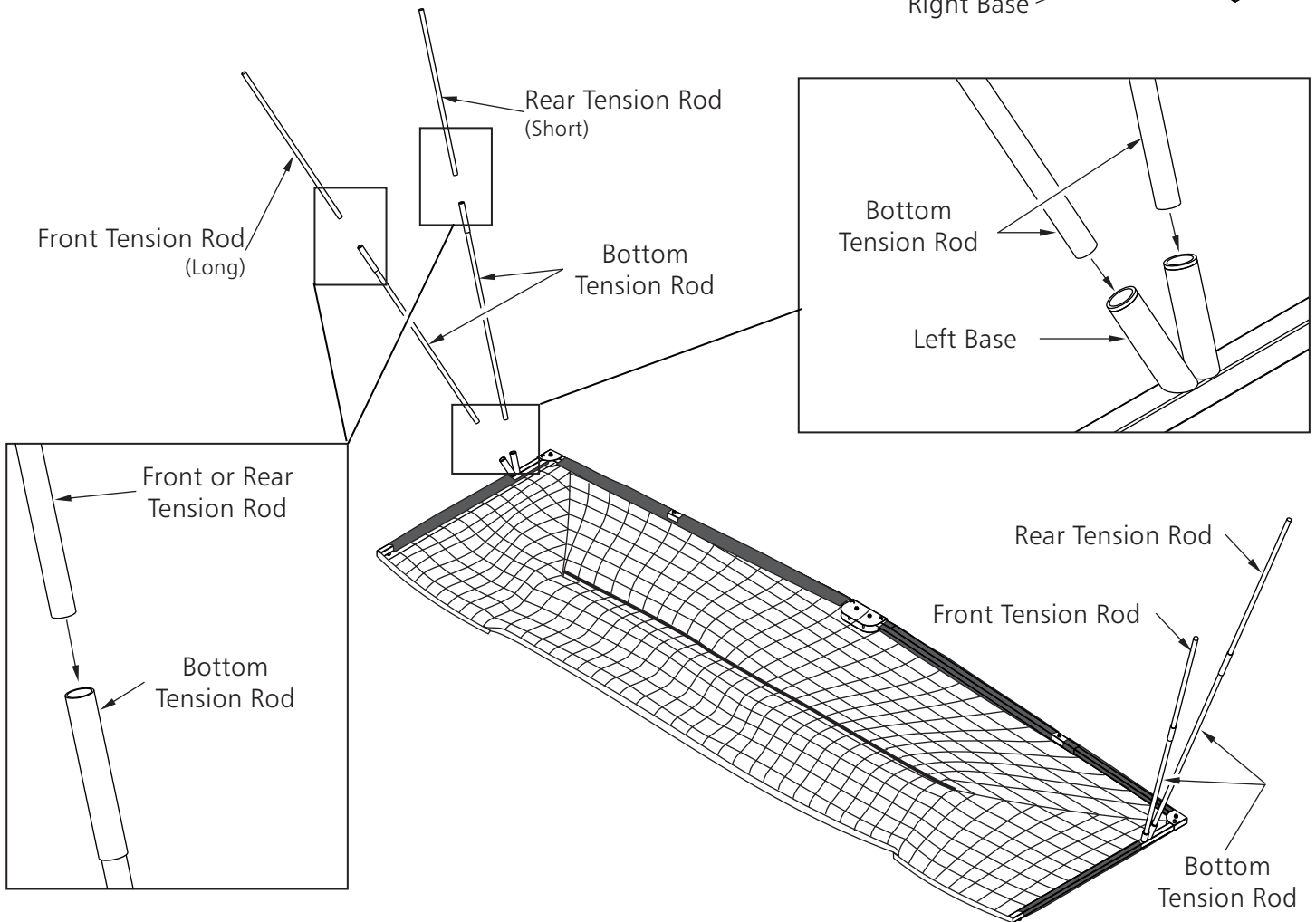
3. Pull left and right rear base until button locks into place on right and left center base. **Do not force parts.** Parts should move freely, if parts do not, look for points where net may be caught on frame.



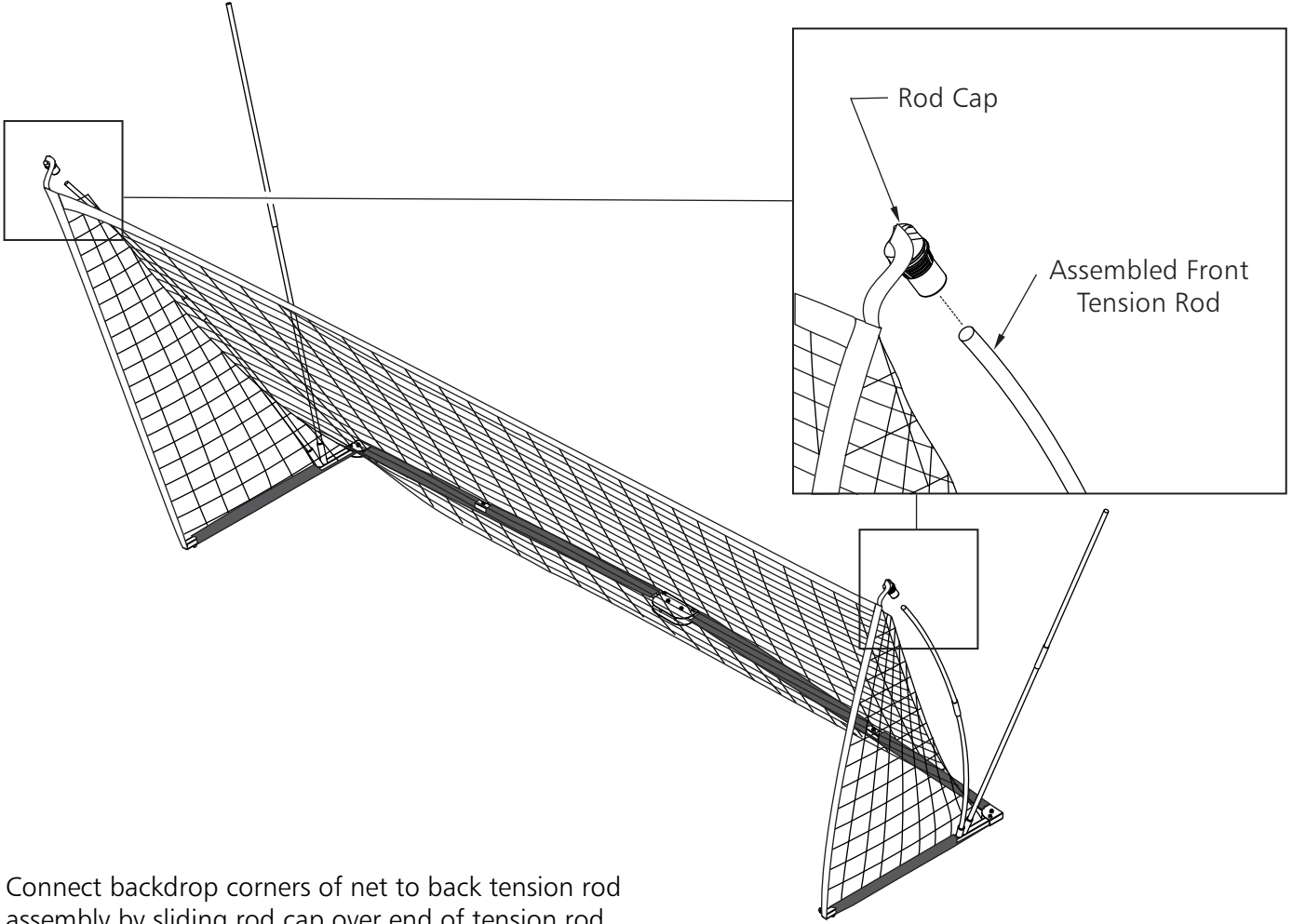
4. Open left and right bases by swinging outward until button locks in place in left and right rear base.



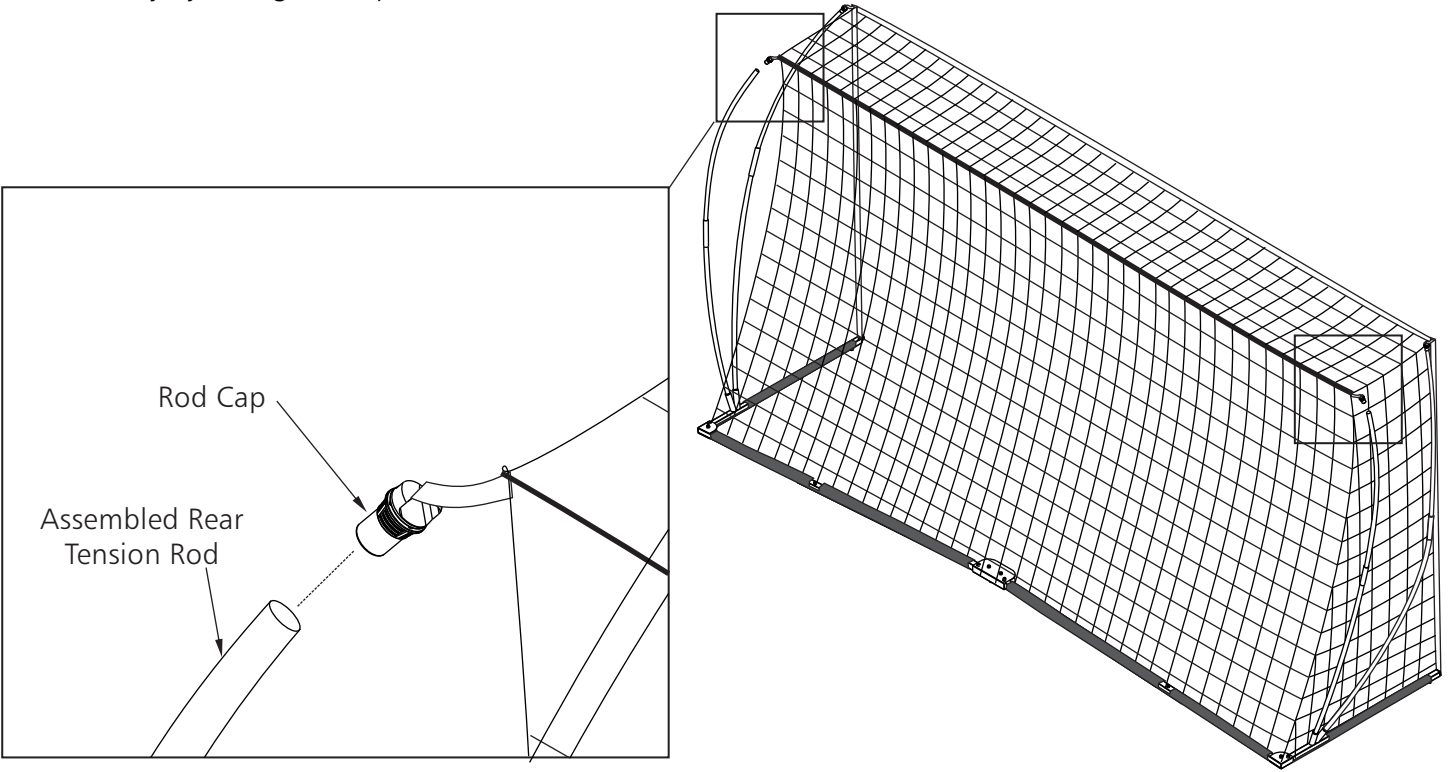
5. Add tension rods to base as shown.



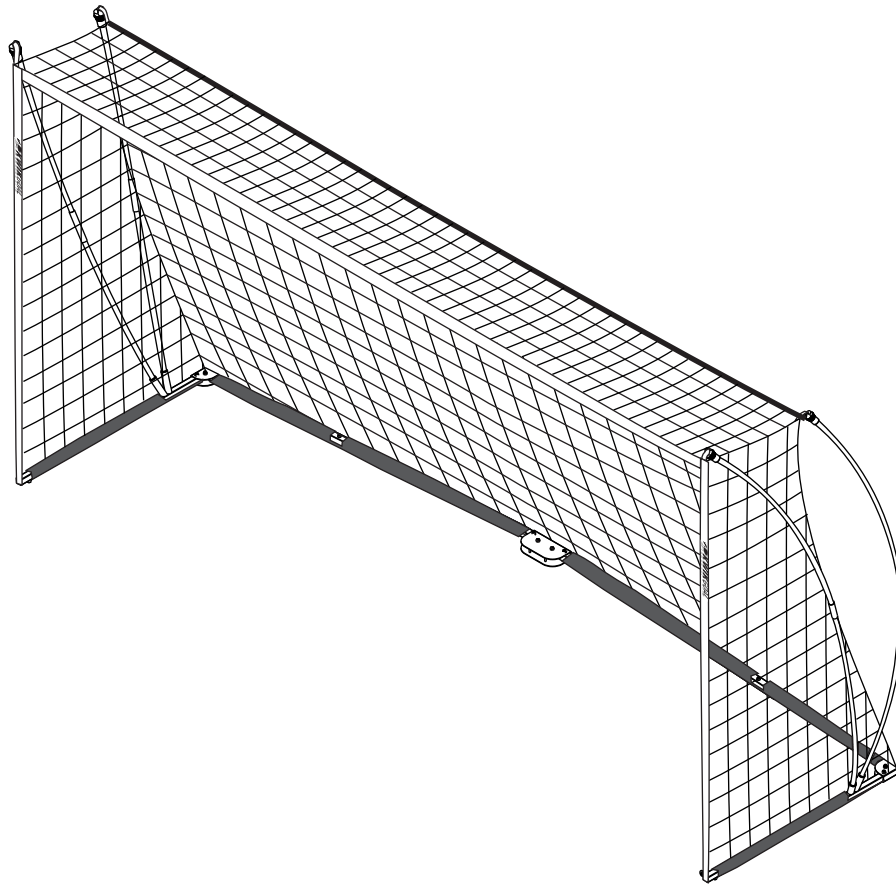
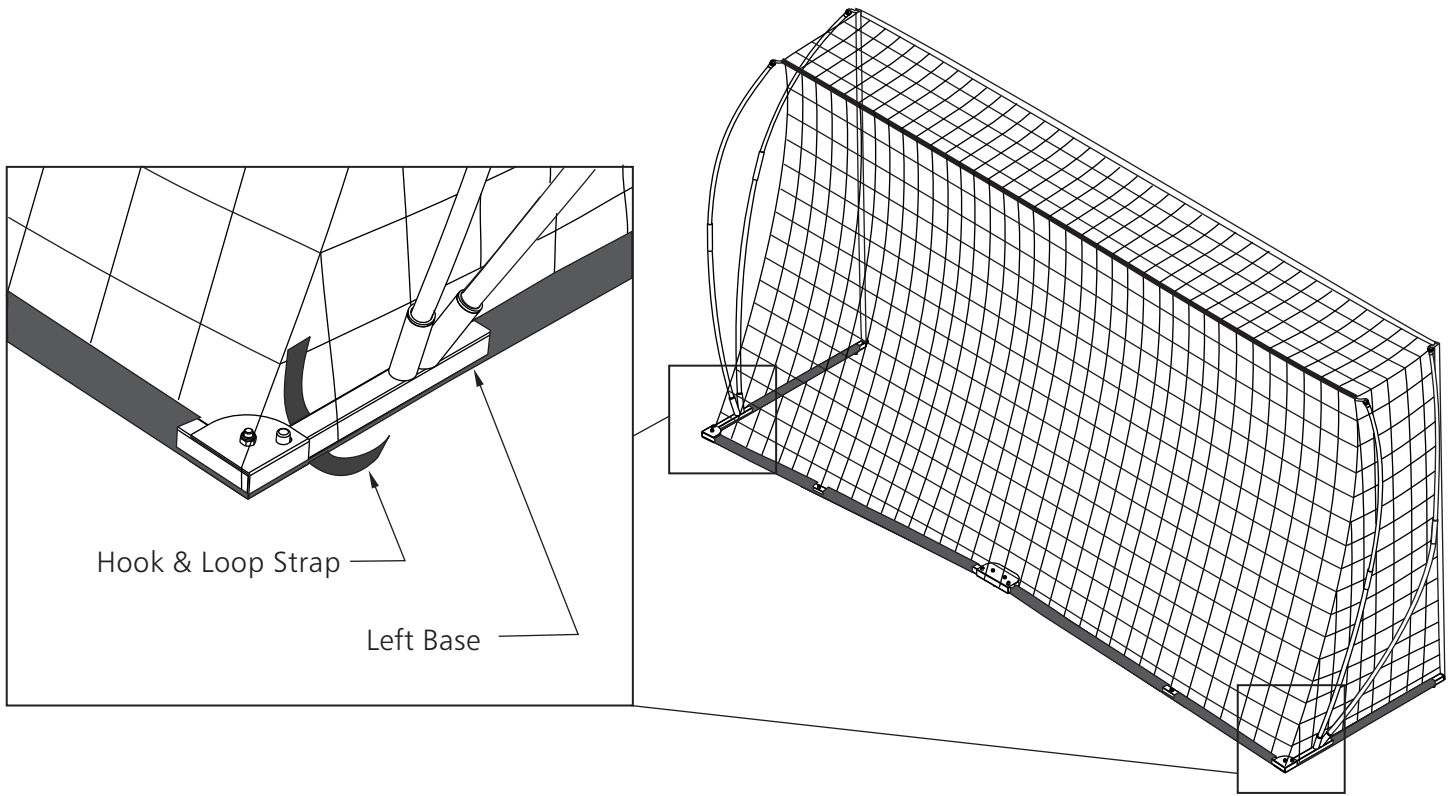
6. Connect top corners of net to front tension rod assembly by sliding rod cap over end of tension rod.



7. Connect backdrop corners of net to back tension rod assembly by sliding rod cap over end of tension rod.



8. Secure corner of net to left and right base with hook & loop straps as shown.



Go to kwikgoal.com for additional product information.