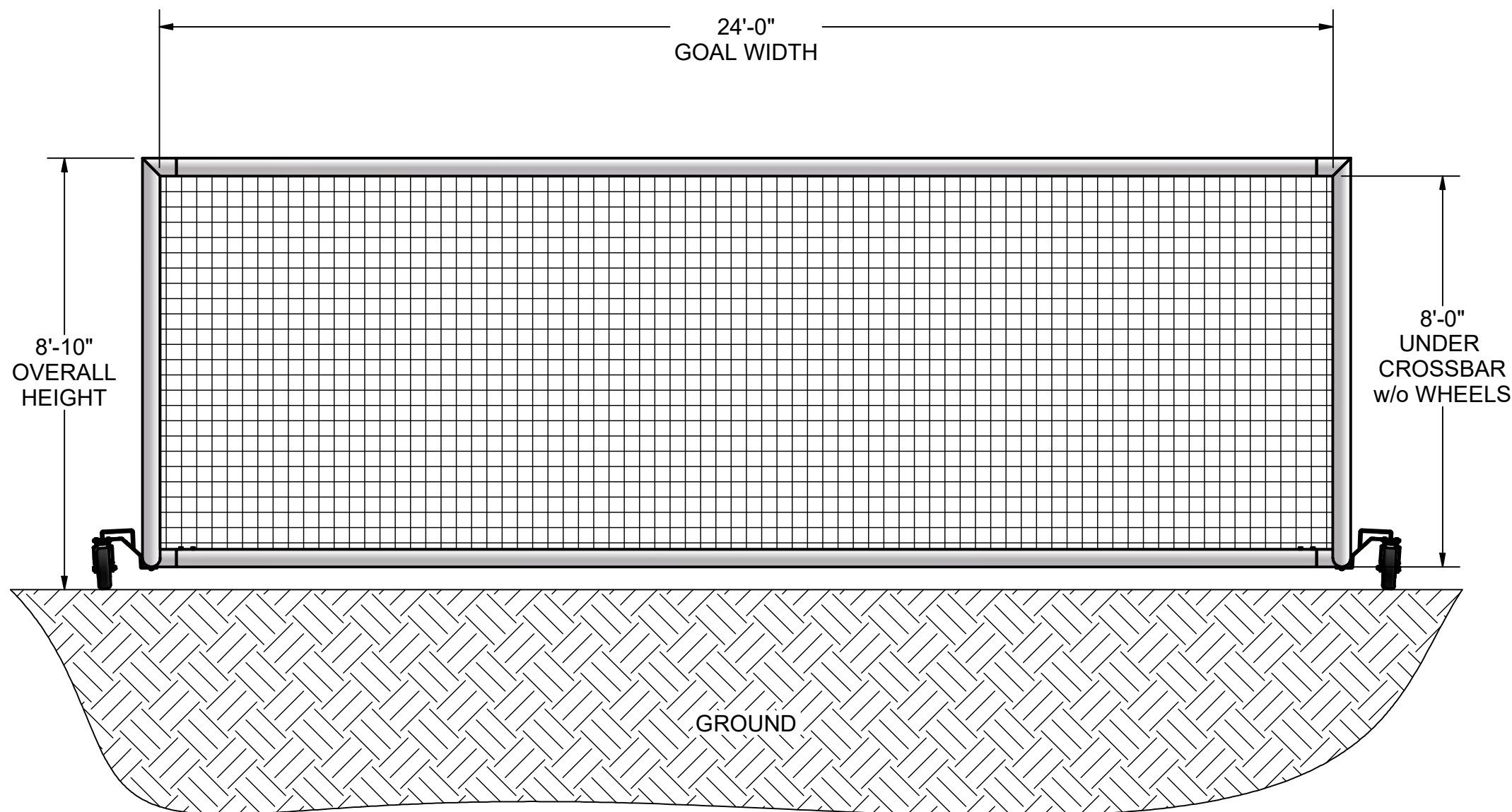
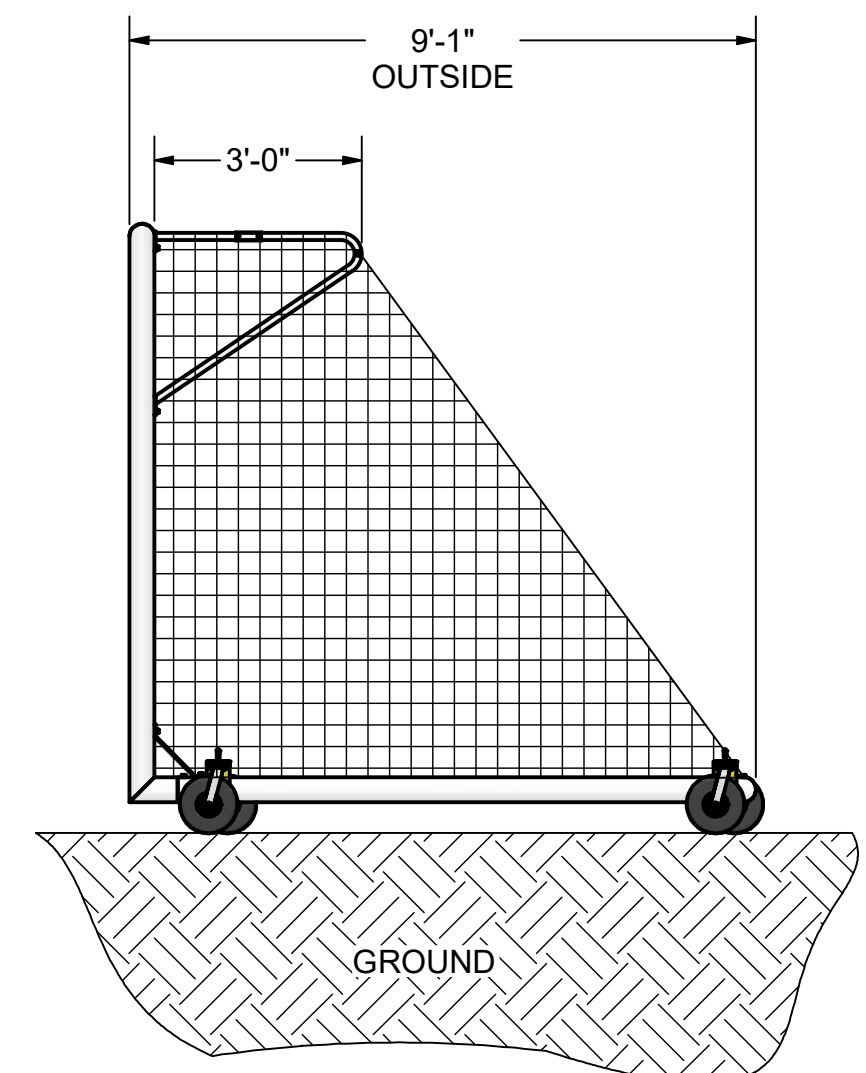


FRONT VIEW

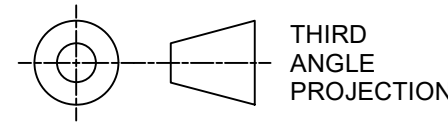


SIDE VIEW



FEATURES:

- 1) ALUMINUM GOAL FRAME AND BACKSTAYS
- 2) FINISH: WHITE POWDER COAT
- 3) INCLUDED:
 - SEMIPERMANENT GROUND ANCHORS
 - 3 mm, WHITE NET
 - KWIK LOCK NET CLIPS
 - 4 - SWIVEL WHEEL CASTER
 - NO-FLAT TIRES
 - 6 - SADDLE ANCHOR BAGS
- 4) ASSEMBLED GOAL WEIGHT w/ WHEELS: 283 LBS.
- 5) EXCEEDS:
 - NCAA SPECIFICATIONS
 - NFHS SPECIFICATIONS
 - ASTM F2950-14 STANDARDS



THIRD ANGLE PROJECTION

KWIKGOAL® 140 Pacific Drive
Quakertown, Pa. 18951

DIMENSIONS ARE IN INCHES UNLESS OTHERWISE SPECIFIED

Approved By:
Date:

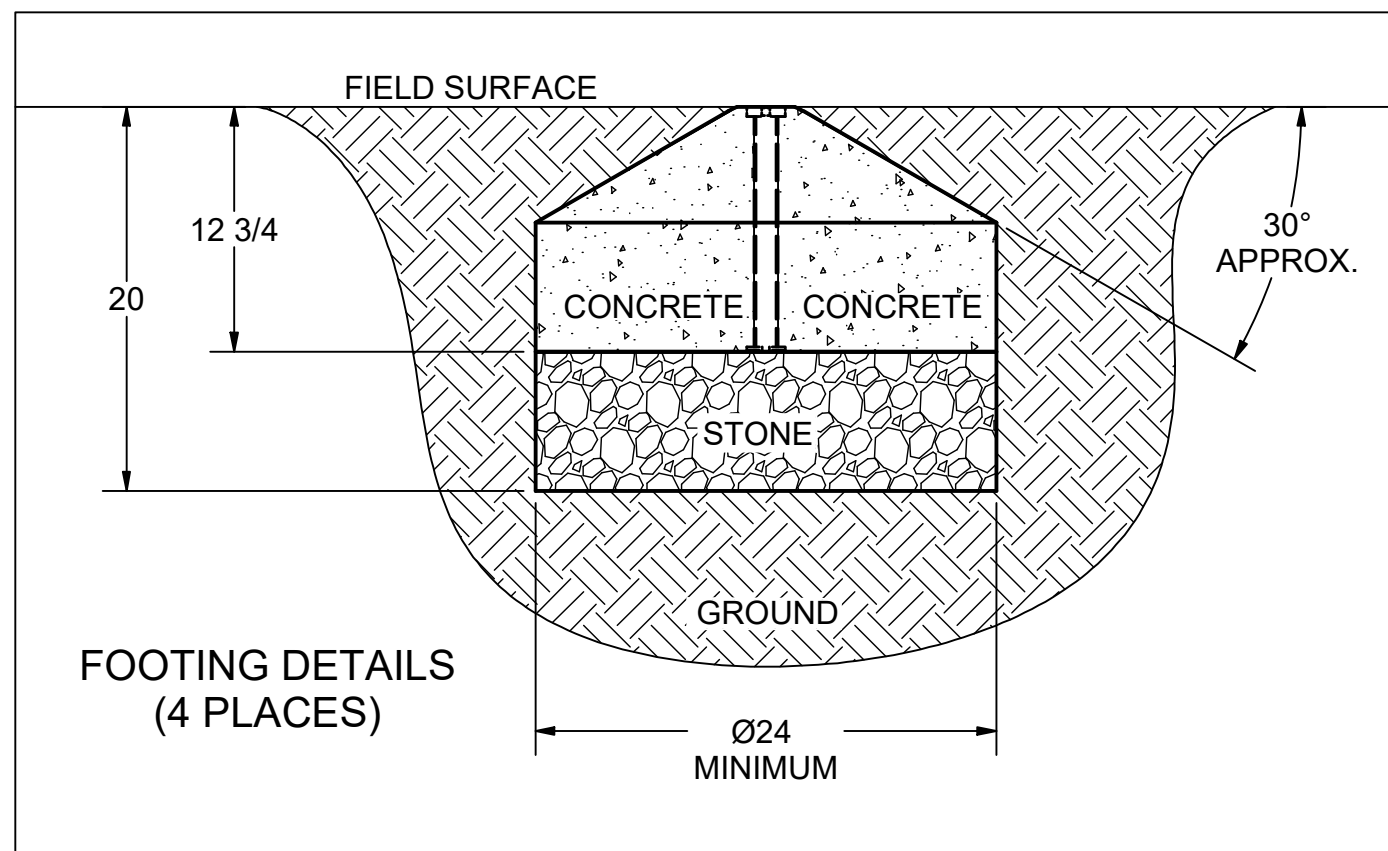
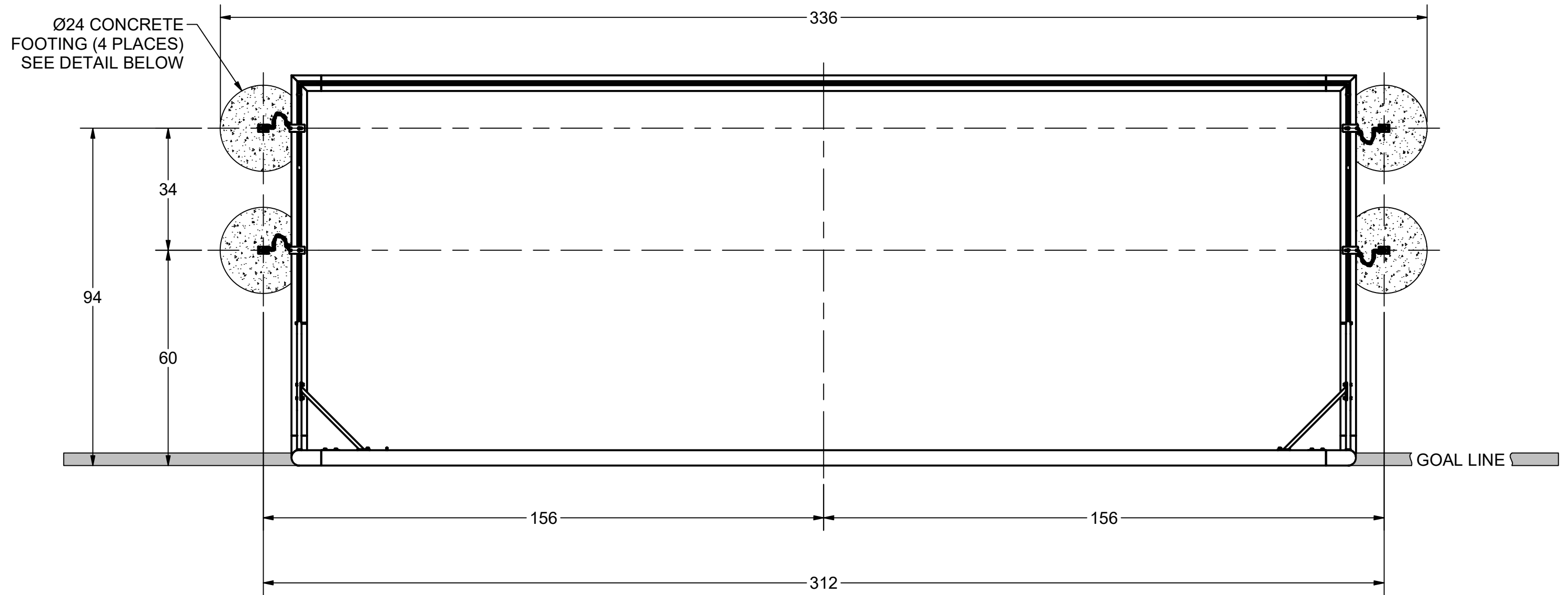
Drawing #: **2B2001SW**

This item is the **confidential** property of **KWIK GOAL LTD.** Reproduction or duplication **without** the express written consent of **KWIK GOAL LTD.** is **strictly forbidden.**

Drawn By: jwillenbecher
Date: 12/7/2012
Sheet: 1 of 4
Revision #: 2
Cad File: 2B2001SW.idw

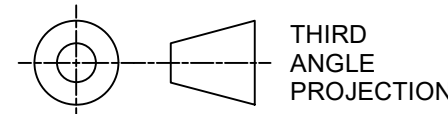
Desc: **8' X 24' PRO PREMIER EUROPEAN MATCH GOAL w/ SWIVEL WHEELS**

OVERHEAD VIEW



NOTES:

- 1) DIMENSIONS ARE FOR PLANNING PURPOSES. INSTALLATION MUST BE IN ACCORDANCE WITH INSTALLATION INSTRUCTIONS.
- 2) CUSTOMER SUPPLIED MATERIALS FOR GOAL INSTALLATION
 0.5 cubic yard - CONCRETE
 0.3 cubic yard - CLEAN STONE (1/4" - 3/4")
 ABOVE AMOUNTS ARE PER GOAL INSTALLATION



THIRD ANGLE PROJECTION

KWIKGOAL® 140 Pacific Drive
 Quakertown, Pa. 18951

DIMENSIONS ARE IN INCHES UNLESS OTHERWISE SPECIFIED

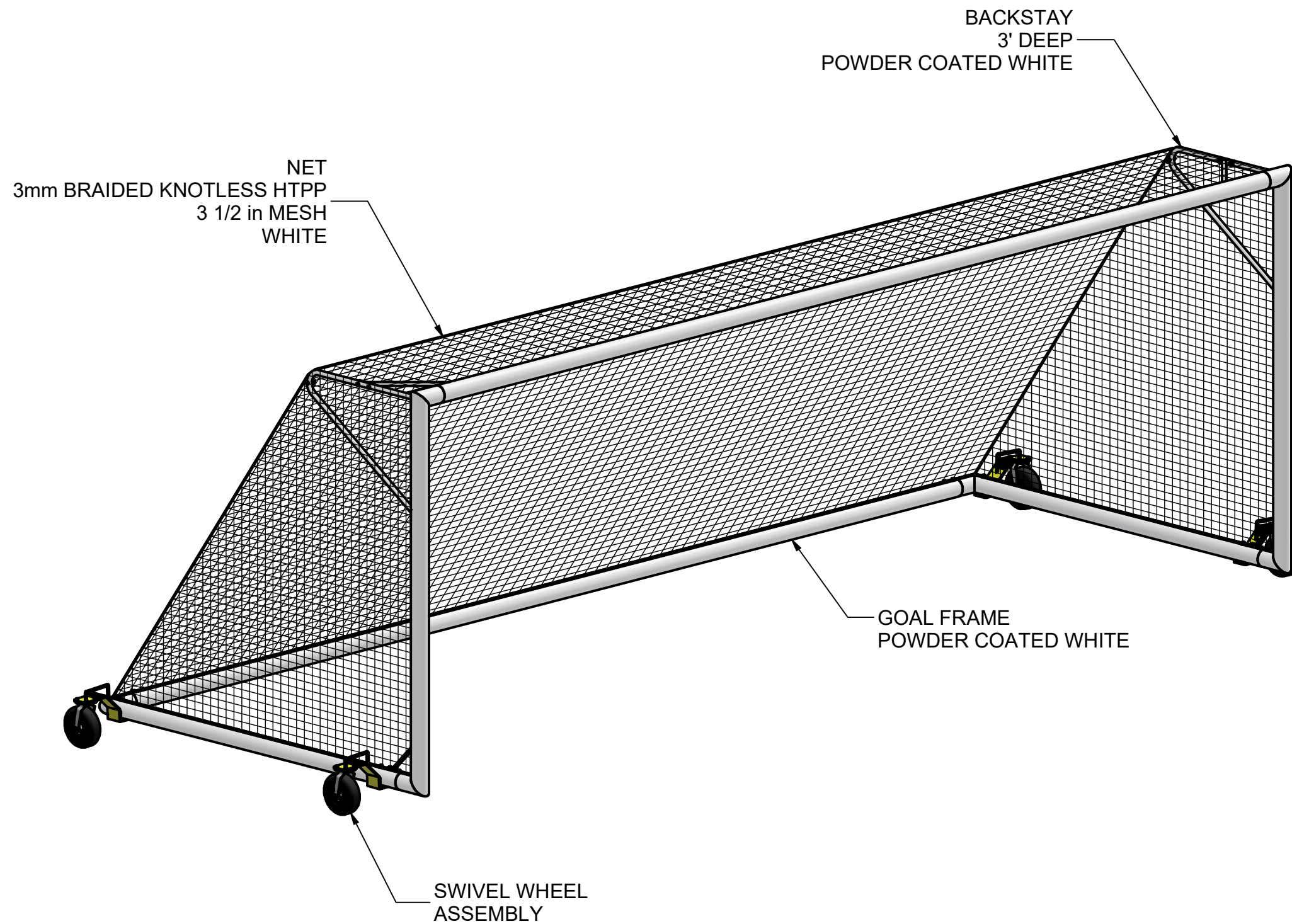
Approved By:
 Date:

Drawing #:
2B2001SW

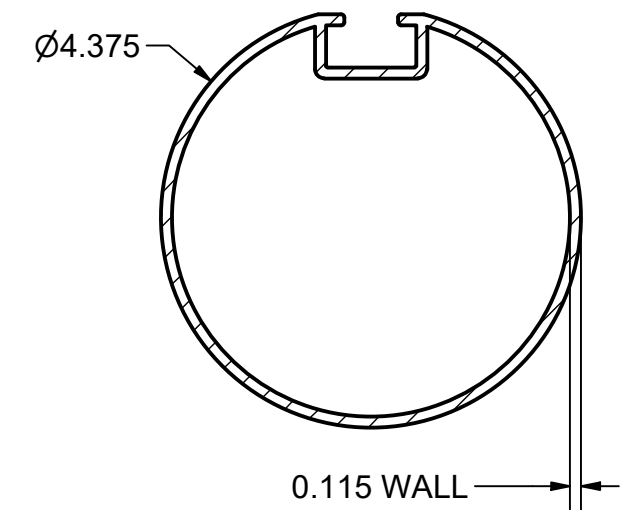
This item is the **confidential** property of **KWIK GOAL LTD.** Reproduction or duplication **without** the express written consent of **KWIK GOAL LTD.** is **strictly forbidden.**

Drawn By: jwillenbecher
 Date: 12/7/2012
 Sheet: 2 of 4
 Revision #: 2
 Cad File: 2B2001SW.idw

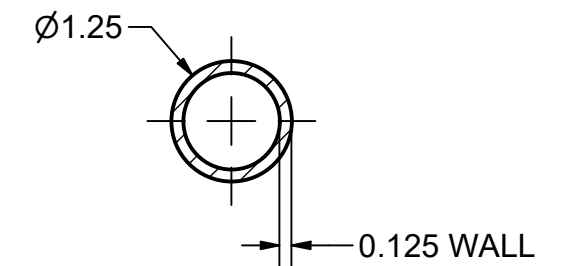
Desc:
 8' X 24' PRO PREMIER EUROPEAN MATCH GOAL w/ SWIVEL WHEELS



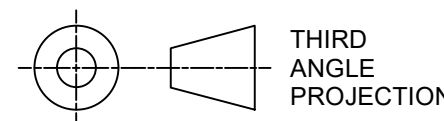
MATERIAL DETAILS



GOAL FRAME
MATERIAL - ALUMINUM



BACKSTAY
MATERIAL - ALUMINUM



KWIKGOAL® 140 Pacific Drive
Quakertown,
Pa. 18951

DIMENSIONS ARE IN INCHES
UNLESS OTHERWISE SPECIFIED

Approved By:
Date:

Drawing #:
2B2001SW

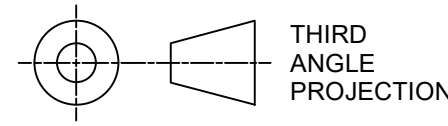
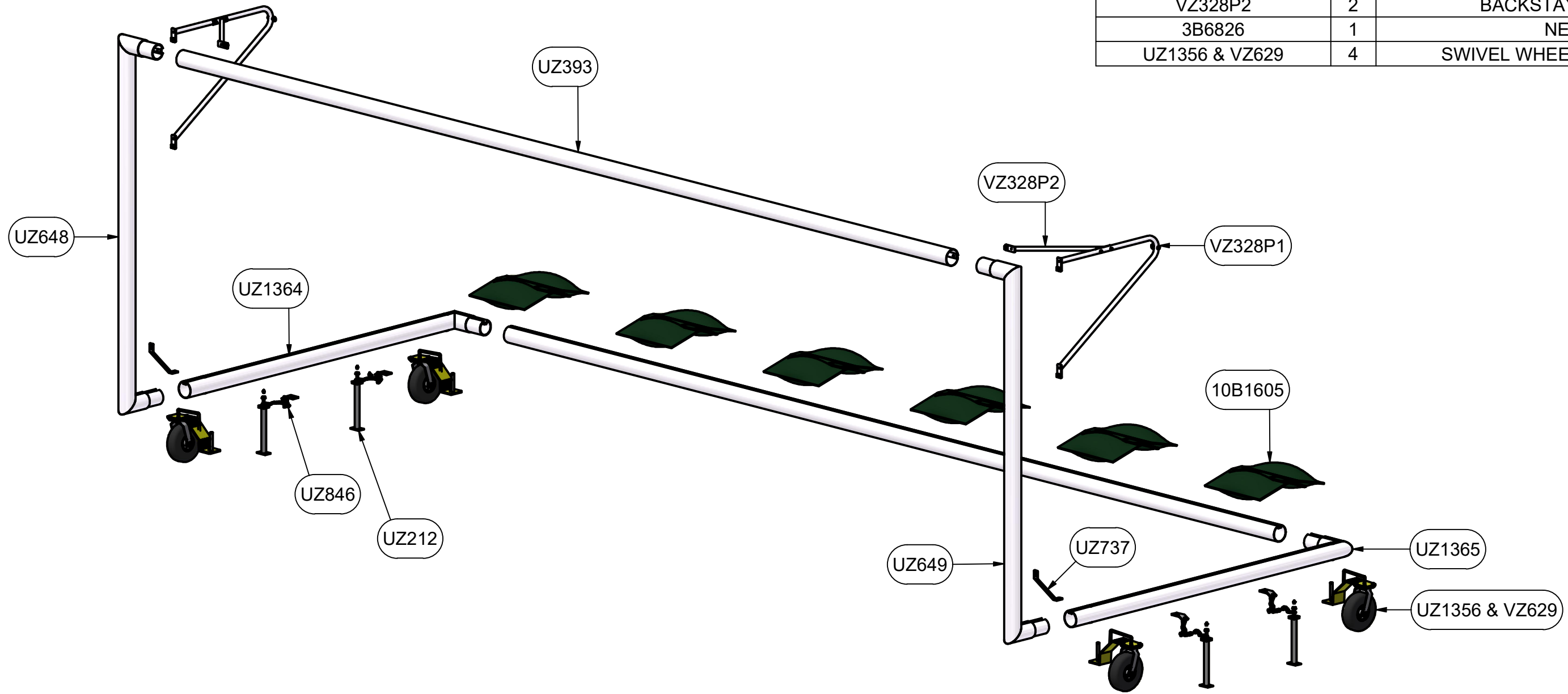
This item is the **confidential**
property of **KWIK GOAL LTD.**
Reproduction or duplication
without the express written
consent of **KWIK GOAL LTD.**
is **strictly forbidden.**

Drawn By: jwillenbecher
Date: 12/7/2012
Sheet: 3 of 4
Revision #: 2
Cad File: 2B2001SW.idw

Desc:
8' X 24' PRO PREMIER
EUROPEAN MATCH GOAL
w/ SWIVEL WHEELS

PARTS LIST

PART #	QTY	DESCRIPTION
10B1605	6	SADDLE ANCHOR BAG
UZ212	4	GROUND ANCHOR ASSEMBLY
UZ393	2	CROSSBAR
UZ648	1	LEFT POST
UZ649	1	RIGHT POST
UZ737	2	POST BRACE
UZ846	4	CHAIN ASSEMBLY, GROUND ANCHOR
UZ1364	1	LEFT BASE
UZ1365	1	RIGHT BASE
VZ328P1	2	BACKSTAY
VZ328P2	2	BACKSTAY BRACE
3B6826	1	NET
UZ1356 & VZ629	4	SWIVEL WHEEL ASSEMBLY



KWIKGOAL® 140 Pacific Drive
Quakertown, Pa. 18951

DIMENSIONS ARE IN INCHES
UNLESS OTHERWISE SPECIFIED

Approved By:
Date:

Drawing #:
2B2001SW

This item is the **confidential** property of **KWIK GOAL LTD.** Reproduction or duplication **without** the express written consent of **KWIK GOAL LTD.** is **strictly forbidden.**

Drawn By: jwillenbecher
Date: 12/7/2012
Sheet: 4 of 4
Revision #: 2
Cad File: 2B2001SW.idw

Desc:
8' X 24' PRO PREMIER
EUROPEAN MATCH GOAL
w/ SWIVEL WHEELS