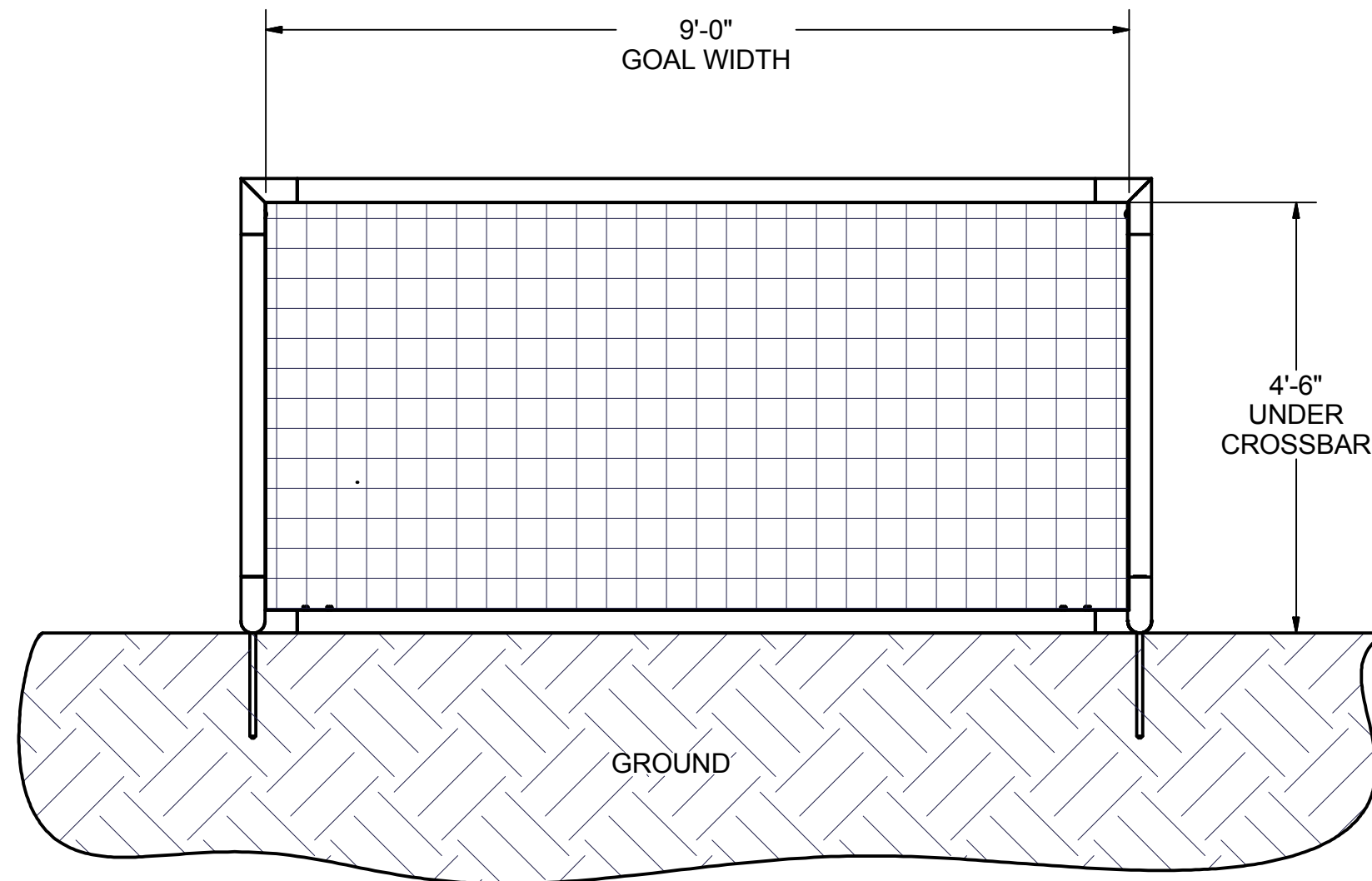
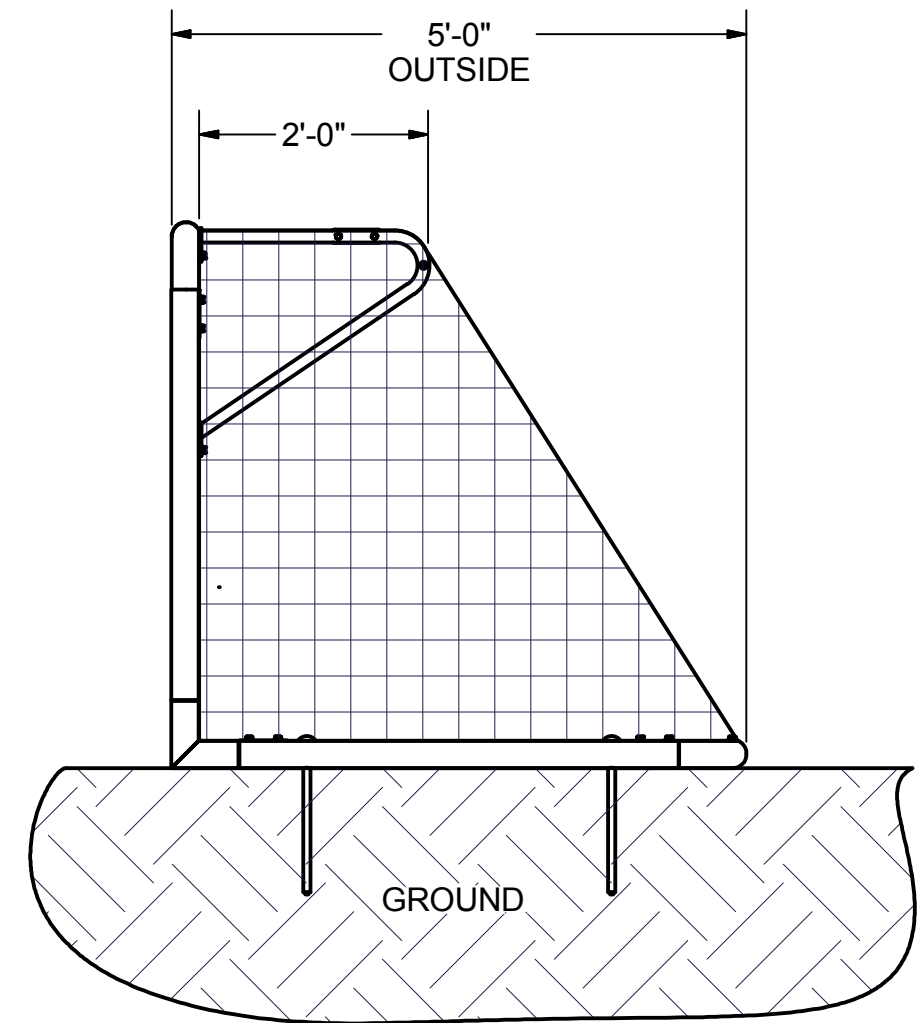


FRONT VIEW

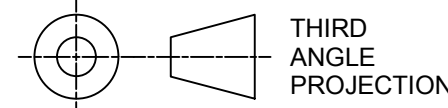


SIDE VIEW



FEATURES:

- 1) ALUMINUM GOAL FRAME AND BACKSTAYS
- 2) FINISH: WHITE POWDER COAT
- 3) INCLUDED:
 - 16" GROUND ANCHOR PEGS
 - 3 mm, WHITE NET
 - KWIK LOCK® NET CLIPS
- 4) ASSEMBLED GOAL WEIGHT: 77 LBS.
- 5) EXCEEDS:
 - ASTM F2950-14 STANDARDS:



THIRD ANGLE PROJECTION

KWIKGOAL® 140 Pacific Drive
Quakertown, Pa. 18951

DIMENSIONS ARE IN INCHES UNLESS OTHERWISE SPECIFIED

Approved By:
Date:

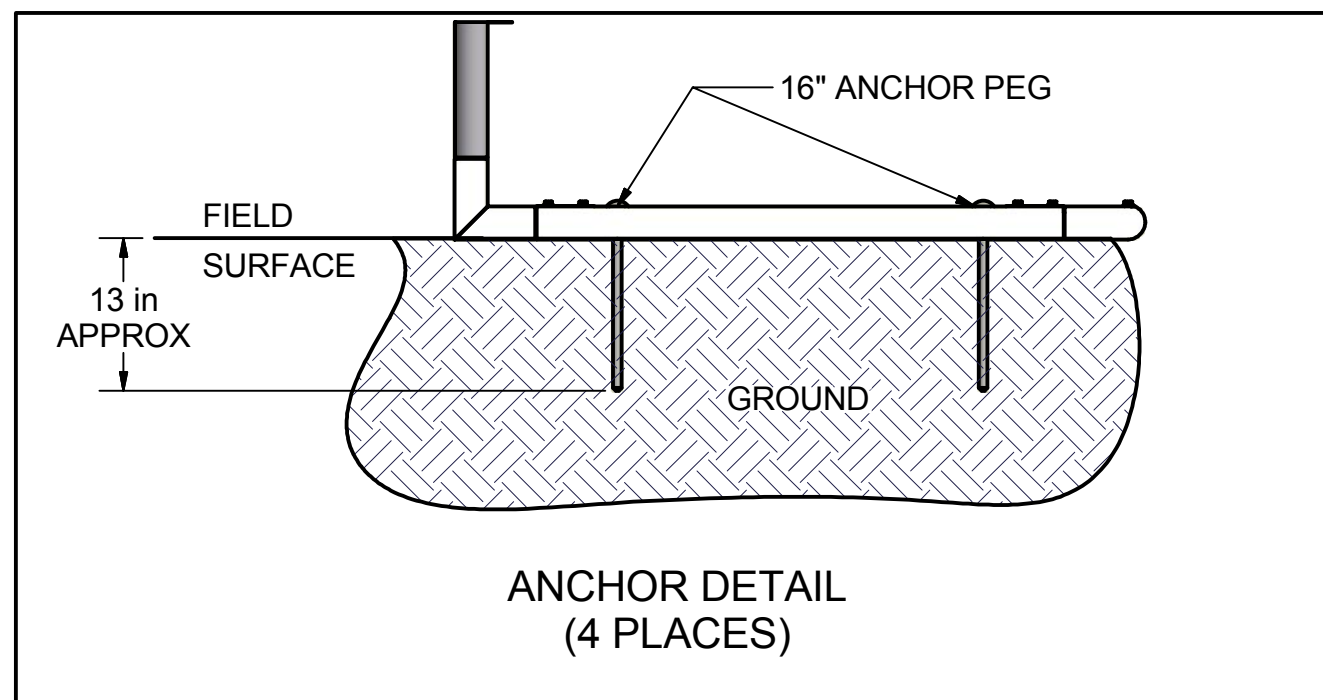
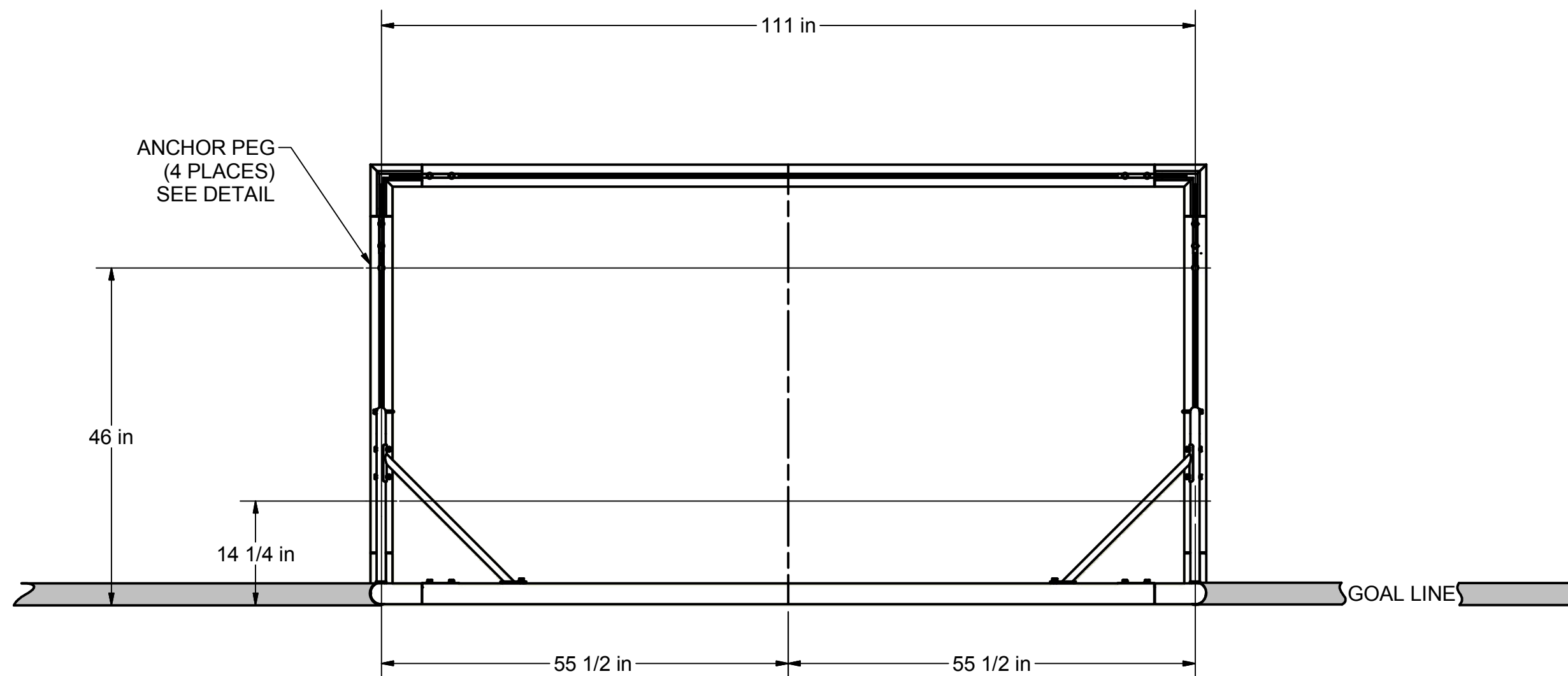
Part #:
2B3002

This item is the **exclusive** property of **KWIK GOAL LTD.** Reproduction or duplication **without** the express written consent of **KWIK GOAL LTD.** is **strictly forbidden.**

Drawn By: brush
Date: 3/5/2004
Sheet: 1 of 4
Revision #: 5
Cad File: 2B3002.idw

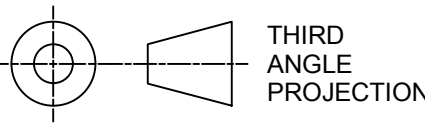

Desc:
4-1/2' X 9' DELUXE EUROPEAN CLUB GOAL

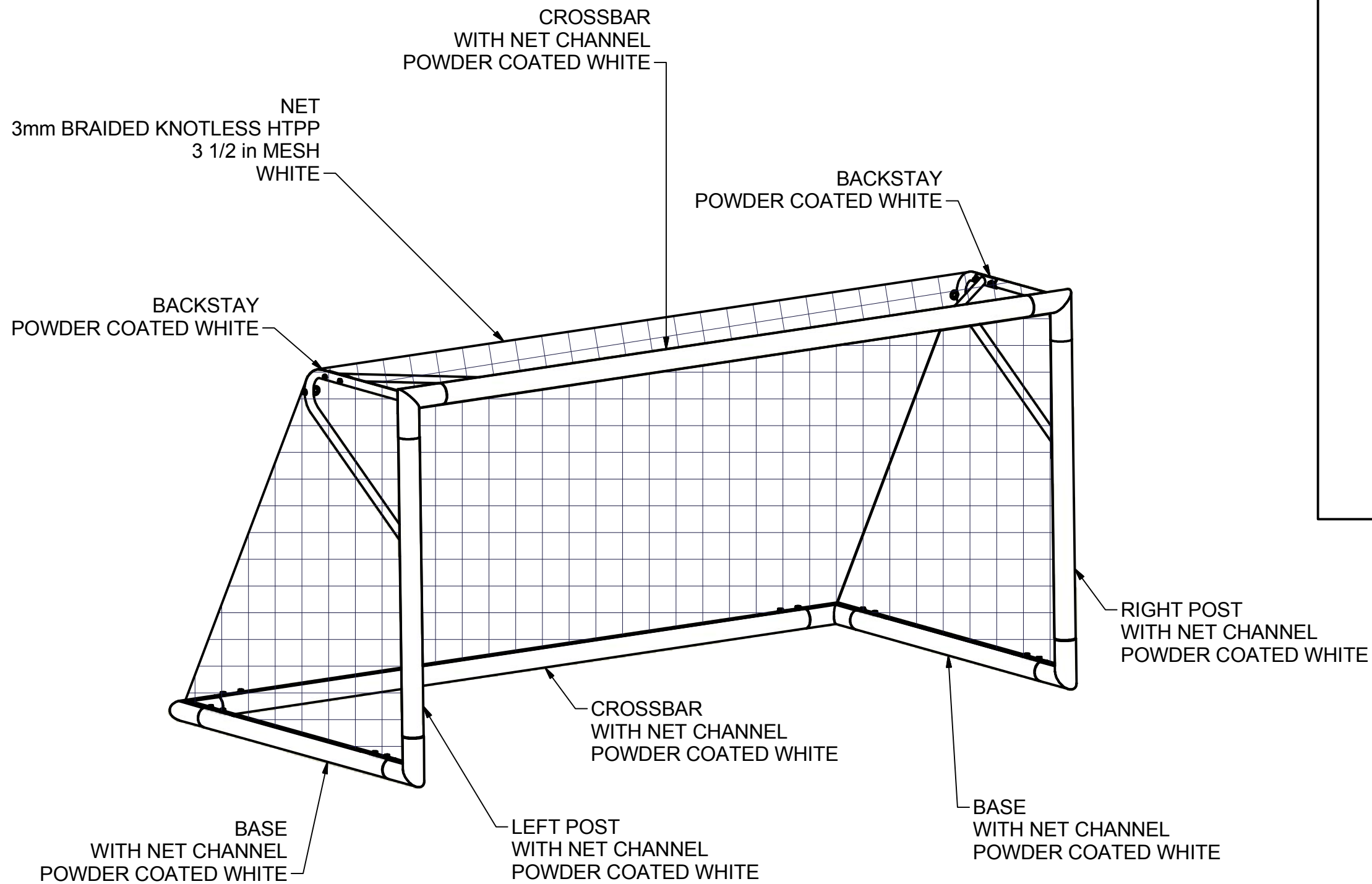
OVERHEAD VIEW



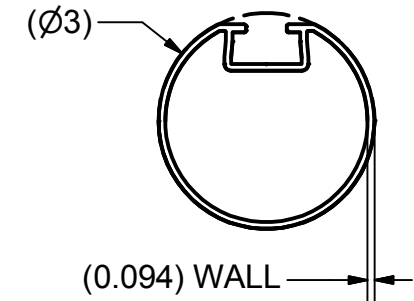
NOTES:

- 1) DIMENSIONS ARE FOR PLANNING PURPOSES. INSTALLATION MUST BE IN ACCORDANCE WITH INSTALLATION INSTRUCTIONS.

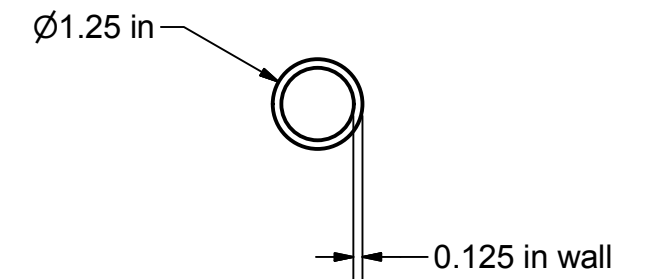
 <p>THIRD ANGLE PROJECTION</p>	 <p>140 Pacific Drive Quakertown, Pa. 18951</p>	
	<p>DIMENSIONS ARE IN INCHES UNLESS OTHERWISE SPECIFIED</p>	<p>Approved By:</p> <p>Date:</p>
<p>This item is the exclusive property of KWIK GOAL LTD. Reproduction or duplication without the express written consent of KWIK GOAL LTD. is strictly forbidden.</p>	<p>Drawn By: brush</p> <p>Date: 3/5/2004</p> <p>Sheet: 2 of 4</p> <p>Revision #: 5</p> <p>Cad File: 2B3002.idw</p>	<p>Desc:</p> <p>4-1/2' X 9' DELUXE EUROPEAN CLUB GOAL</p>



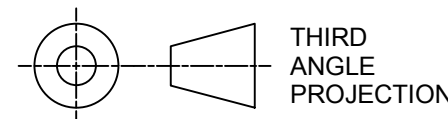
MATERIAL DETAILS



GOAL FRAME MATERIAL - ALUMINUM



BACKSTAY MATERIAL - ALUMINUM



THIRD ANGLE PROJECTION

KWIKGOAL® 140 Pacific Drive
Quakertown, Pa. 18951

DIMENSIONS ARE IN INCHES UNLESS OTHERWISE SPECIFIED

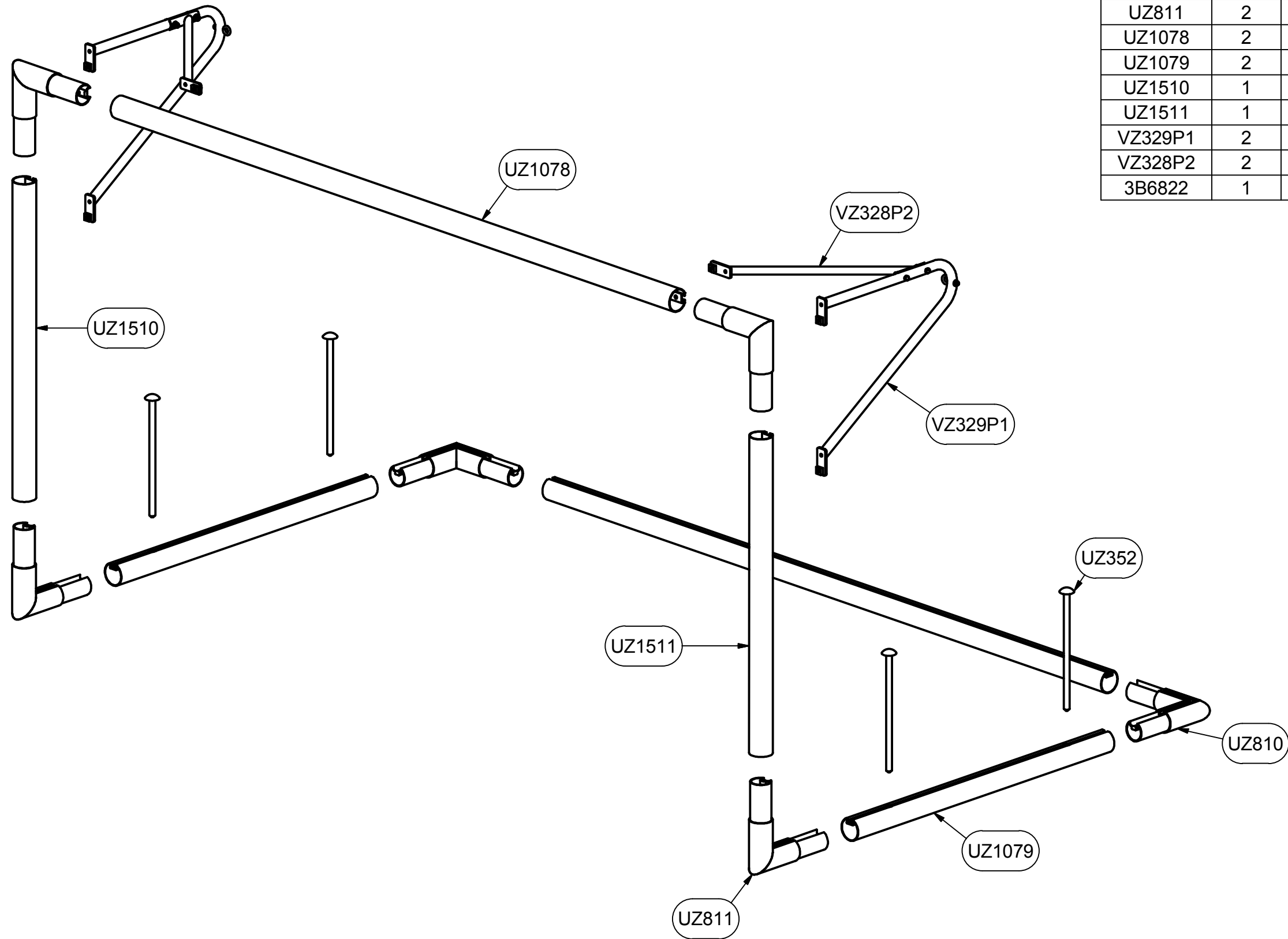
Approved By:
Date:

Part #:
2B3002

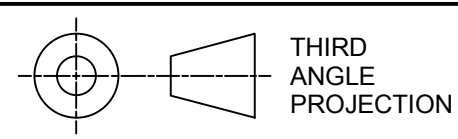
This item is the **exclusive** property of **KWIK GOAL LTD.** Reproduction or duplication **without** the express written consent of **KWIK GOAL LTD.** is **strictly forbidden.**

Drawn By: brush
Date: 3/5/2004
Sheet: 3 of 4
Revision #: 5
Cad File: 2B3002.idw

Desc:
4-1/2' X 9' DELUXE EUROPEAN CLUB GOAL



Parts List		
Part #	Qty	Description
UZ352	4	16" GROUND ANCHOR PEG
UZ810	4	CROSSBAR CORNER, EURO CLUB
UZ811	2	POST CORNER, EURO CLUB
UZ1078	2	CROSSBAR, 2B3002
UZ1079	2	BASE, 2B3002
UZ1510	1	LEFT POST 2B3002
UZ1511	1	RIGHT POST 2B3002
VZ329P1	2	BACKSTAY
VZ328P2	2	BACKSTAY BRACE
3B6822	1	NET, SOCCER GOAL



KWIKGOAL® 140 Pacific Drive
Quakertown, Pa. 18951

DIMENSIONS ARE IN INCHES
UNLESS OTHERWISE SPECIFIED

Approved By:
Date:

Part #:
2B3002

This item is the **exclusive** property of **KWIK GOAL LTD.** Reproduction or duplication **without** the express written consent of **KWIK GOAL LTD.** is **strictly forbidden.**

Drawn By: brush
Date: 3/5/2004
Sheet: 4 of 4
Revision #: 5
Cad File: 2B3002.idw

Desc:
4-1/2' X 9' DELUXE
EUROPEAN CLUB GOAL