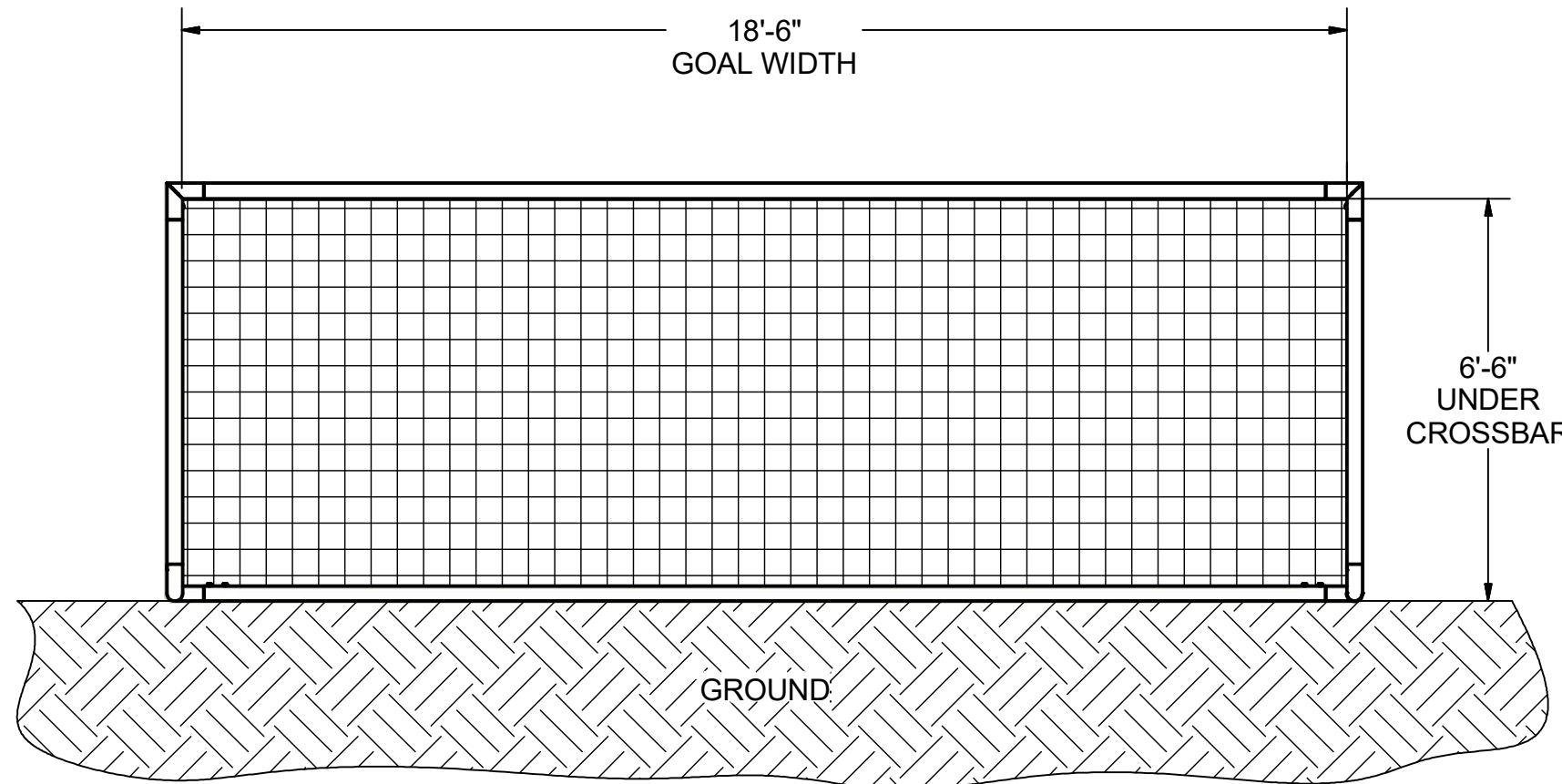
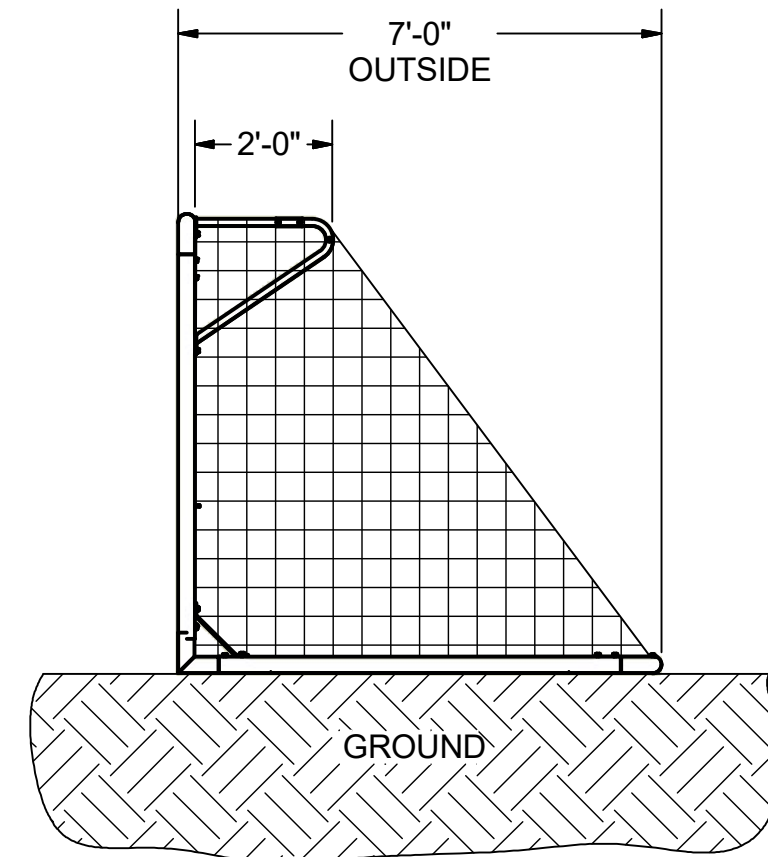


FRONT VIEW

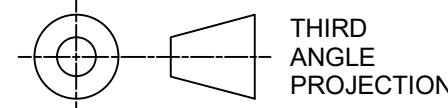


SIDE VIEW



FEATURES:

- 1) ALUMINUM GOAL FRAME AND BACKSTAYS
- 2) FINISH: WHITE POWDER COAT
- 3) INCLUDED:
 - SEMIPERMANENT GROUND ANCHORS
 - 3 mm, WHITE NET
 - KWIK LOCK® NET CLIPS
- 4) ASSEMBLED GOAL WEIGHT: 124 LBS.
- 5) EXCEEDS:
 - ASTM F2950-14 STANDARDS



THIRD ANGLE PROJECTION

KWIKGOAL® 140 Pacific Drive
Quakertown, Pa. 18951

DIMENSIONS ARE IN INCHES UNLESS OTHERWISE SPECIFIED

Approved By:
Date:

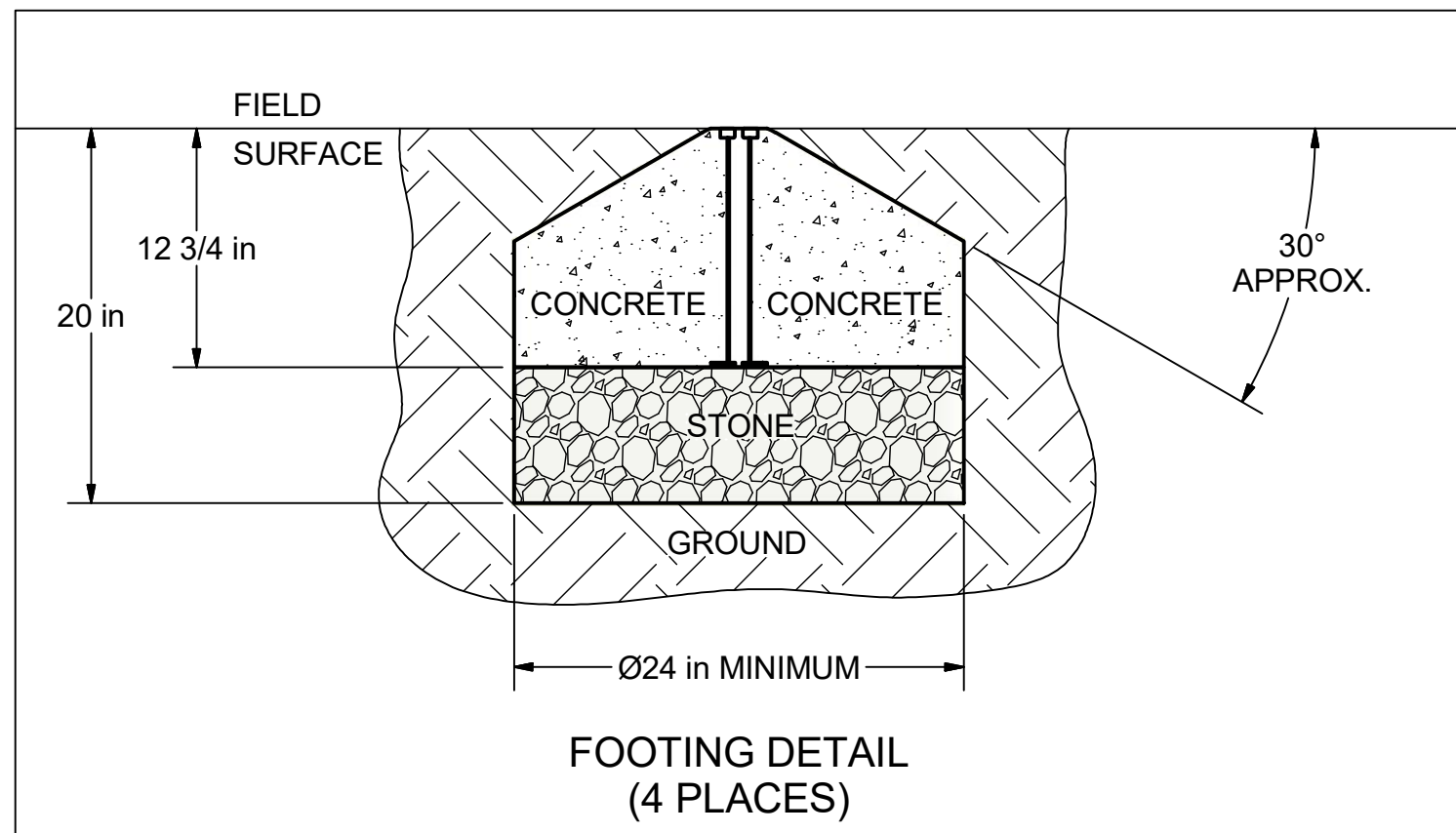
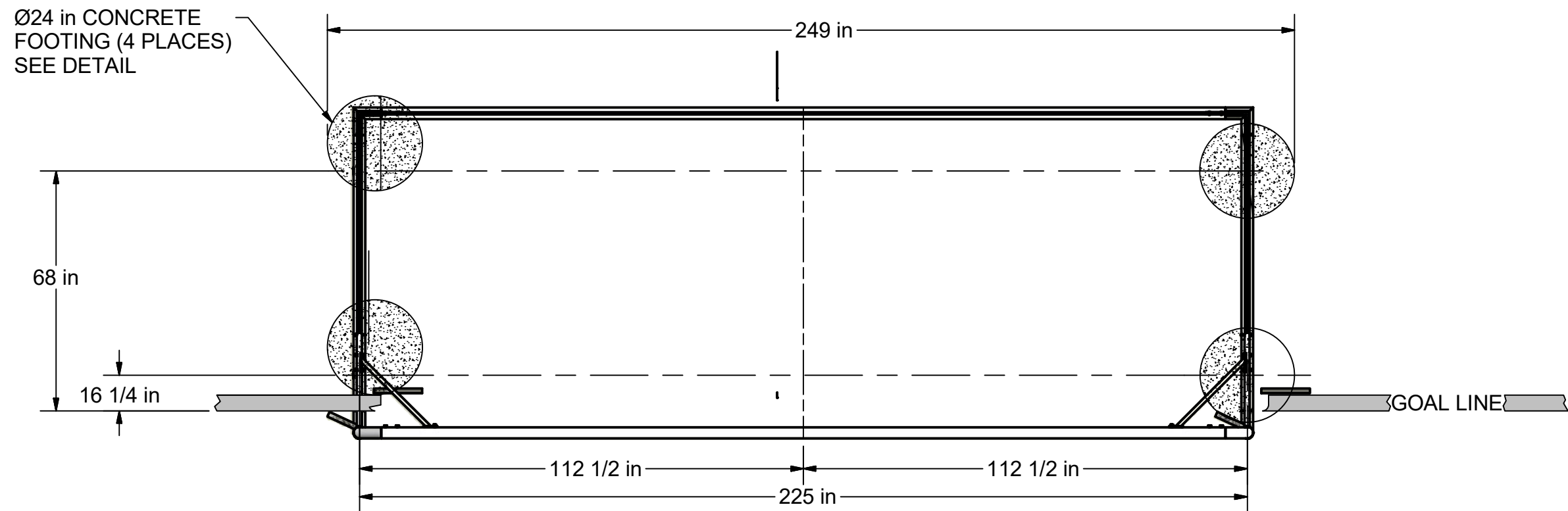
Part #:
2B3004

This item is the **confidential** property of **KWIK GOAL LTD.** Reproduction or duplication **without** the express written consent of **KWIK GOAL LTD.** is **strictly forbidden.**

Drawn By: brush
Date: 3/5/2004
Sheet: 1 of 4
Revision #: 5
Cad File: 2B3004.idw

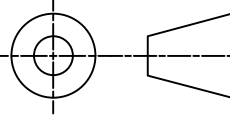

Desc:
6-1/2' X 18-1/2' DELUXE EUROPEAN CLUB GOAL

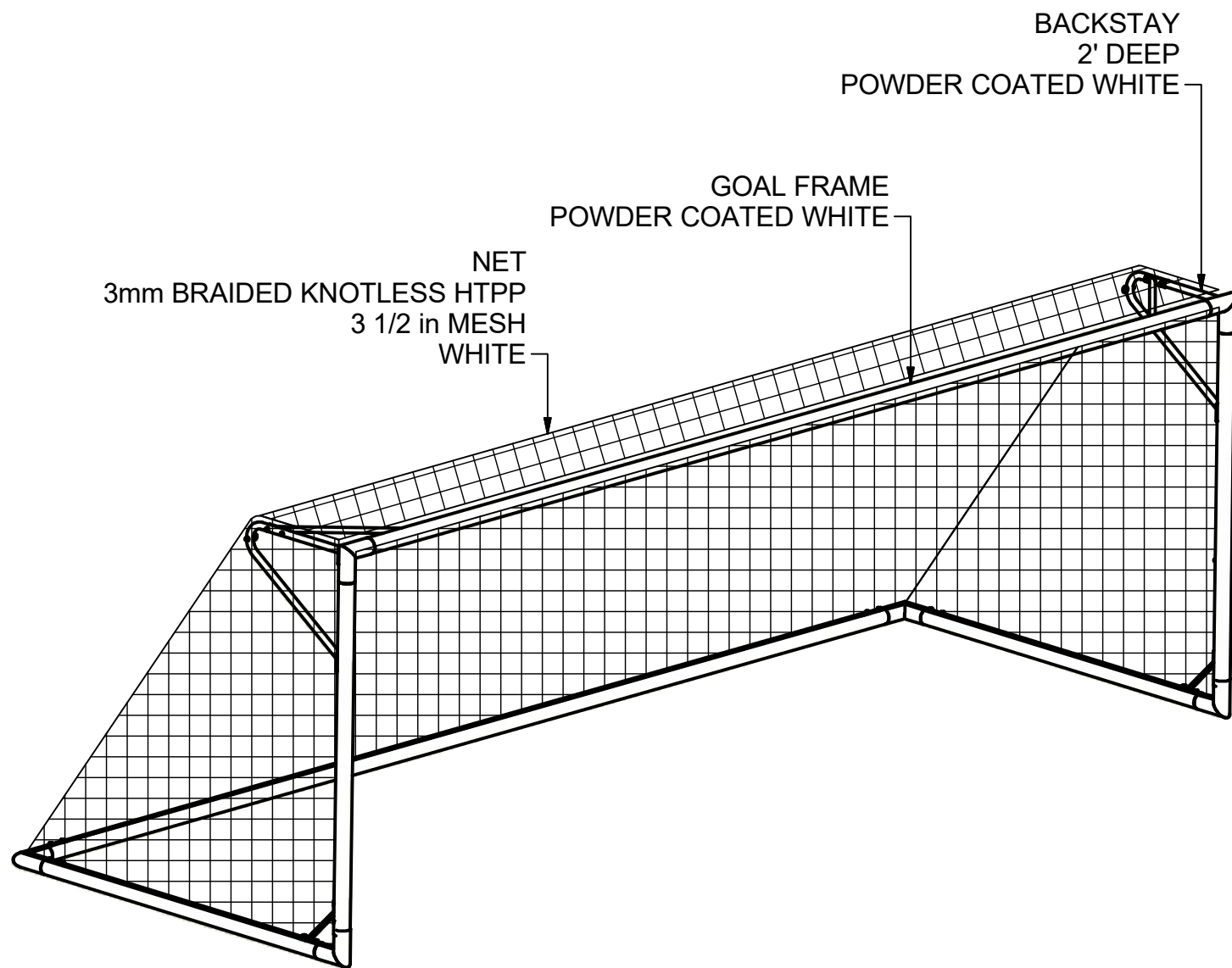
OVERHEAD VIEW



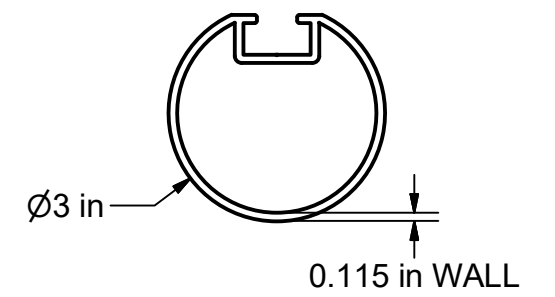
NOTES:

- 1) DIMENSIONS ARE FOR PLANNING PURPOSES. INSTALLATION MUST BE IN ACCORDANCE WITH INSTALLATION INSTRUCTIONS.
- 2) CUSTOMER SUPPLIED MATERIALS FOR GOAL INSTALLATION
 - 0.5 cubic yard - CONCRETE
 - 0.3 cubic yard - CLEAN STONE (1/4" - 3/4")
 ALL QUANTITIES ARE FOR ONE GOAL

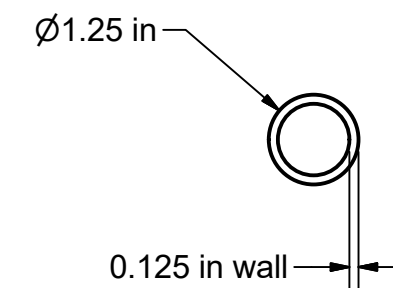
 THIRD ANGLE PROJECTION	 140 Pacific Drive Quakertown, Pa. 18951	
	DIMENSIONS ARE IN INCHES UNLESS OTHERWISE SPECIFIED	Approved By: Date:
This item is the confidential property of KWIK GOAL LTD. Reproduction or duplication without the express written consent of KWIK GOAL LTD. is strictly forbidden.	Drawn By: brush	Desc: 6-1/2' X 18-1/2' DELUXE EUROPEAN CLUB GOAL
	Date: 3/5/2004	
	Sheet: 2 of 4	
	Revision #: 5	
Cad File: 2B3004.idw		



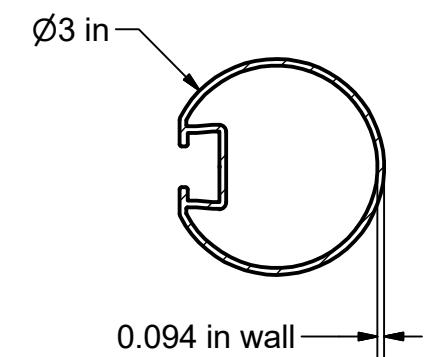
MATERIAL DETAILS



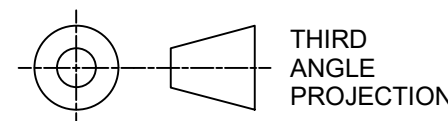
POSTS & BASES
MATERIAL - ALUMINUM



BACKSTAY
MATERIAL - ALUMINUM



CROSSBAR
MATERIAL - ALUMINUM



KWIKGOAL® 140 Pacific Drive
Quakertown,
Pa. 18951

DIMENSIONS ARE IN INCHES
UNLESS OTHERWISE SPECIFIED

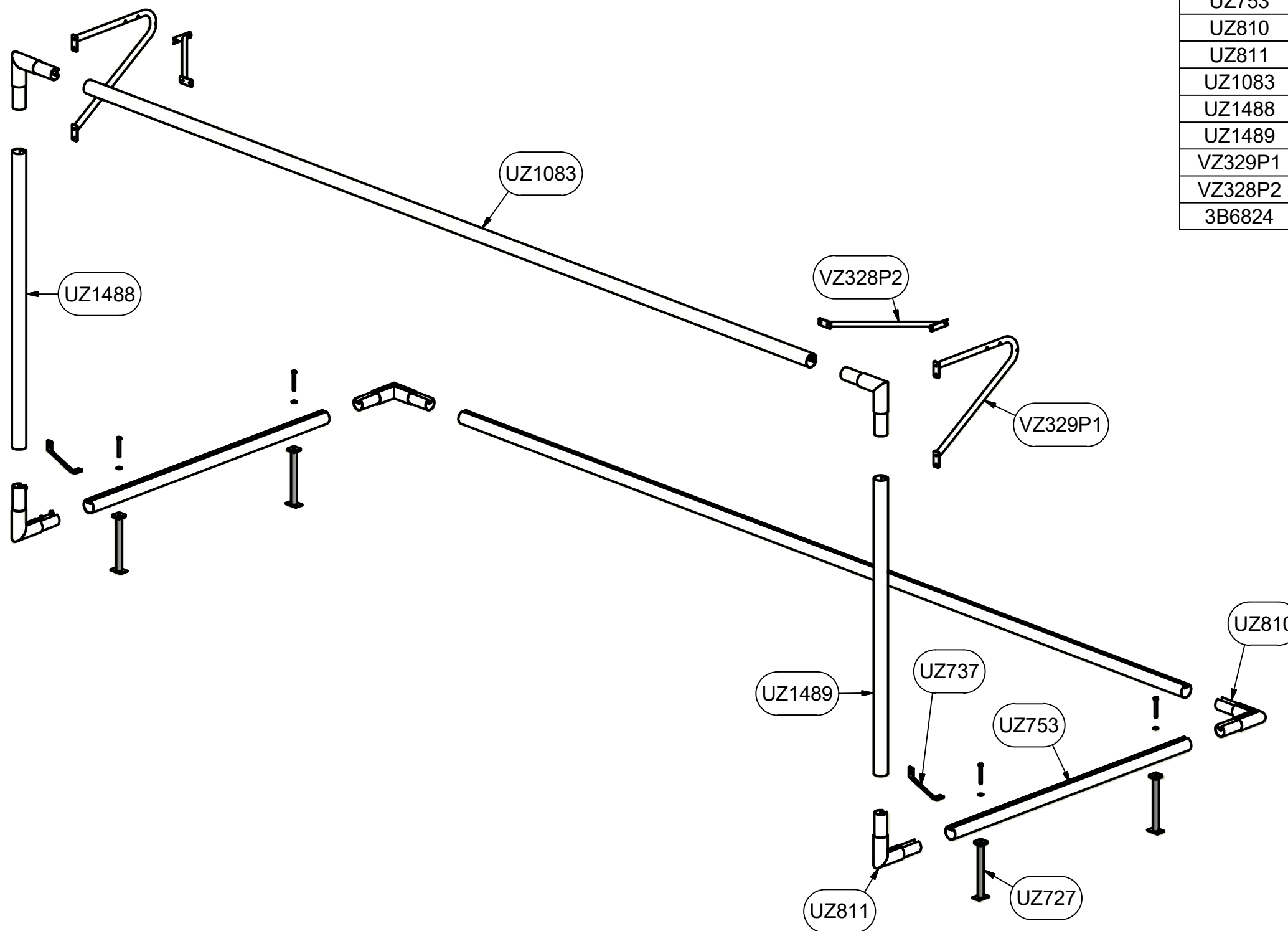
Approved By:
Date:

Part #:
2B3004

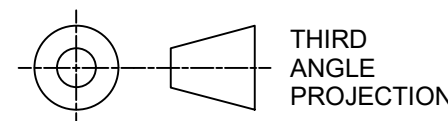
This item is the **confidential**
property of **KWIK GOAL LTD.**
Reproduction or duplication
without the express written
consent of **KWIK GOAL LTD.**
is **strictly forbidden.**

Drawn By: brush
Date: 3/5/2004
Sheet: 3 of 4
Revision #: 5
Cad File: 2B3004.idw

Desc:
6-1/2' X 18-1/2' DELUXE
EUROPEAN CLUB GOAL



Parts List		
Part #	Qty	Description
UZ727	4	GROUND ANCHOR ASSEMBLY
UZ737	2	POST BRACE
UZ753	2	BASE, 2B3004, 2B3003
UZ810	4	CROSSBAR CORNER, EURO CLUB
UZ811	2	POST CORNER, EURO CLUB
UZ1083	2	CROSSBAR, 2B3004
UZ1488	1	LEFT POST, 2B3004
UZ1489	1	RIGHT POST, 2B3003, 2B3004
VZ329P1	2	BACKSTAY
VZ328P2	2	BACKSTAY BRACE
3B6824	1	NET, SOCCER GOAL



KWIKGOAL® 140 Pacific Drive
Quakertown, Pa. 18951

DIMENSIONS ARE IN INCHES
UNLESS OTHERWISE SPECIFIED

Approved By:
Date:

Part #:
2B3004

This item is the **confidential** property of **KWIK GOAL LTD.** Reproduction or duplication **without** the express written consent of **KWIK GOAL LTD.** is **strictly forbidden.**

Drawn By: brush
Date: 3/5/2004
Sheet: 4 of 4
Revision #: 5
Cad File: 2B3004.idw

Desc:
6-1/2' X 18-1/2' DELUXE EUROPEAN CLUB GOAL