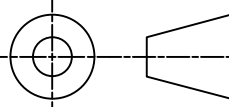

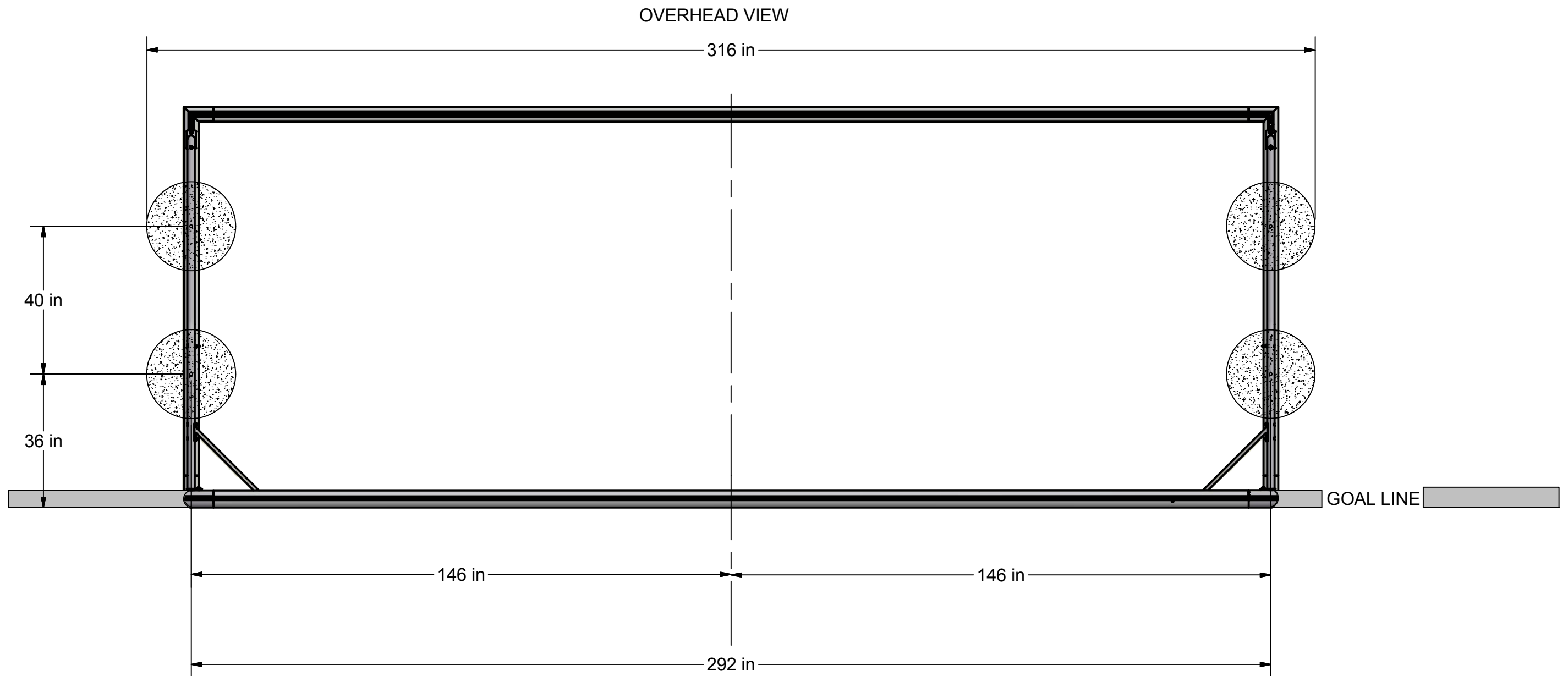


**FEATURES:**

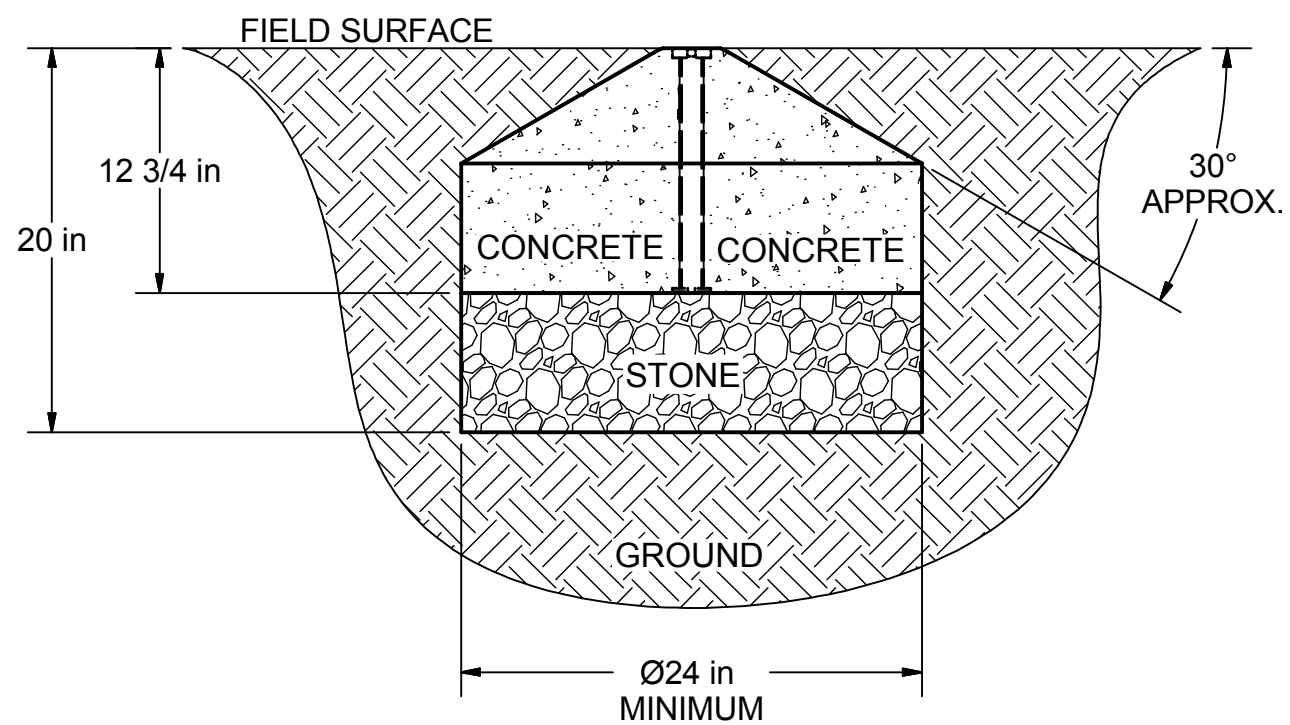
- 1) ALUMINUM GOAL FRAME AND BACKDROPS
- 2) FINISH: WHITE POWDER COAT
- 3) INCLUDED:
  - SEMIPERMANENT GROUND ANCHORS
  - 3 mm, BLACK & WHITE NET
  - KWIK LOCK® NET CLIPS
  - 4 - SWIVEL WHEEL CASTER
  - NO-FLAT TIRES
  - 6 - SADDLE ANCHOR BAGS
- 4) ASSEMBLED GOAL WEIGHT: 255 LBS.
- 5) EXCEEDS:
  - NCAA SPECIFICATIONS
  - NFSHA SPECIFICATIONS
  - ASTM F2950-14 STANDARDS

 THIRD ANGLE PROJECTION	 140 Pacific Drive Quakertown, Pa. 18951	
	DIMENSIONS ARE IN INCHES UNLESS OTHERWISE SPECIFIED	Approved By: Date:
This item is the <b>exclusive</b> property of <b>KWIK GOAL LTD.</b> Reproduction or duplication <b>without</b> the express written consent of <b>KWIK GOAL LTD.</b> is <b>strictly forbidden.</b>	Drawn By: jwillenbecher Date: 10/19/2012 Sheet: 1 of 4 Revision #: 2	Desc: 8' x 24' EVOLUTION 1.1 GOAL w/SWIVEL WHEELS
	Cad File: 2B3306SW.idw	

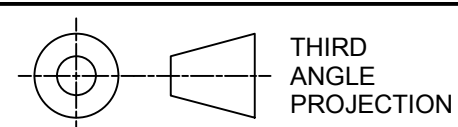


**NOTES:**

- 1) DIMENSIONS ARE FOR PLANNING PURPOSES. INSTALLATION MUST BE IN ACCORDANCE WITH INSTALLATION INSTRUCTIONS.
- 2) CUSTOMER SUPPLIED MATERIALS FOR GOAL INSTALLATION
  - 0.5 cubic yard - CONCRETE
  - 0.3 cubic yard - CLEAN STONE (1/4" - 3/4")
 ABOVE AMOUNTS ARE PER GOAL INSTALLATION



**FOOTING DETAILS  
(4 PLACES)**



**KWIKGOAL**® 140 Pacific Drive  
Quakertown, Pa. 18951

DIMENSIONS ARE IN INCHES UNLESS OTHERWISE SPECIFIED

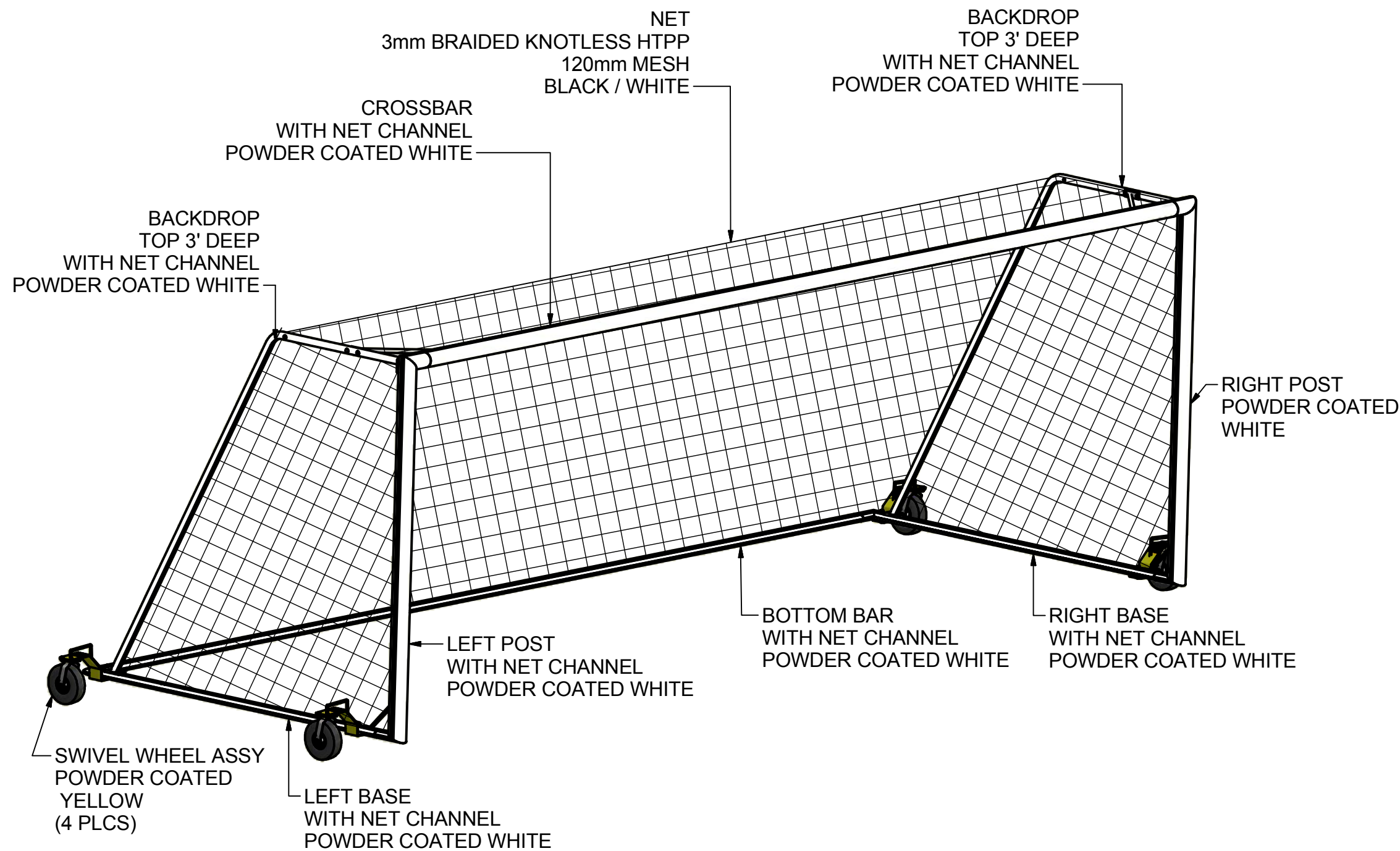
Approved By:  
Date:

Part #:  
**2B3306SW**

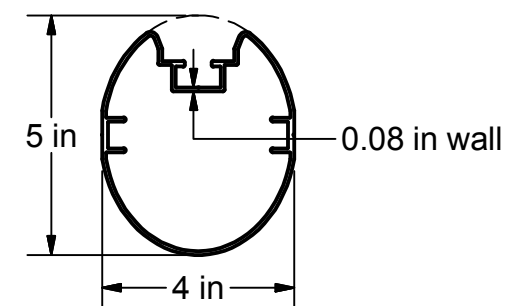
This item is the **exclusive** property of **KWIK GOAL LTD.** Reproduction or duplication **without** the express written consent of **KWIK GOAL LTD.** is **strictly forbidden.**

Drawn By: jwillenbecher  
Date: 10/19/2012  
Sheet: 2 of 4  
Revision #: 2  
Cad File: 2B3306SW.idw

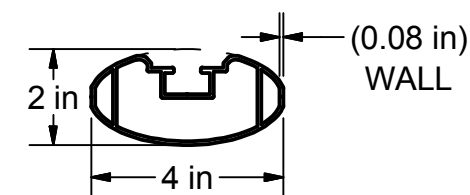
Desc:  
8' x 24'  
EVOLUTION 1.1 GOAL  
w/SWIVEL WHEELS



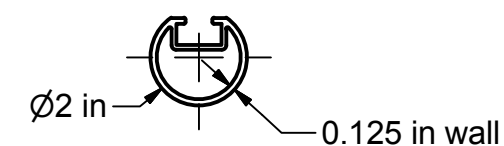
### MATERIAL DETAILS



### POST & CROSSBAR MATERIAL - ALUMINUM

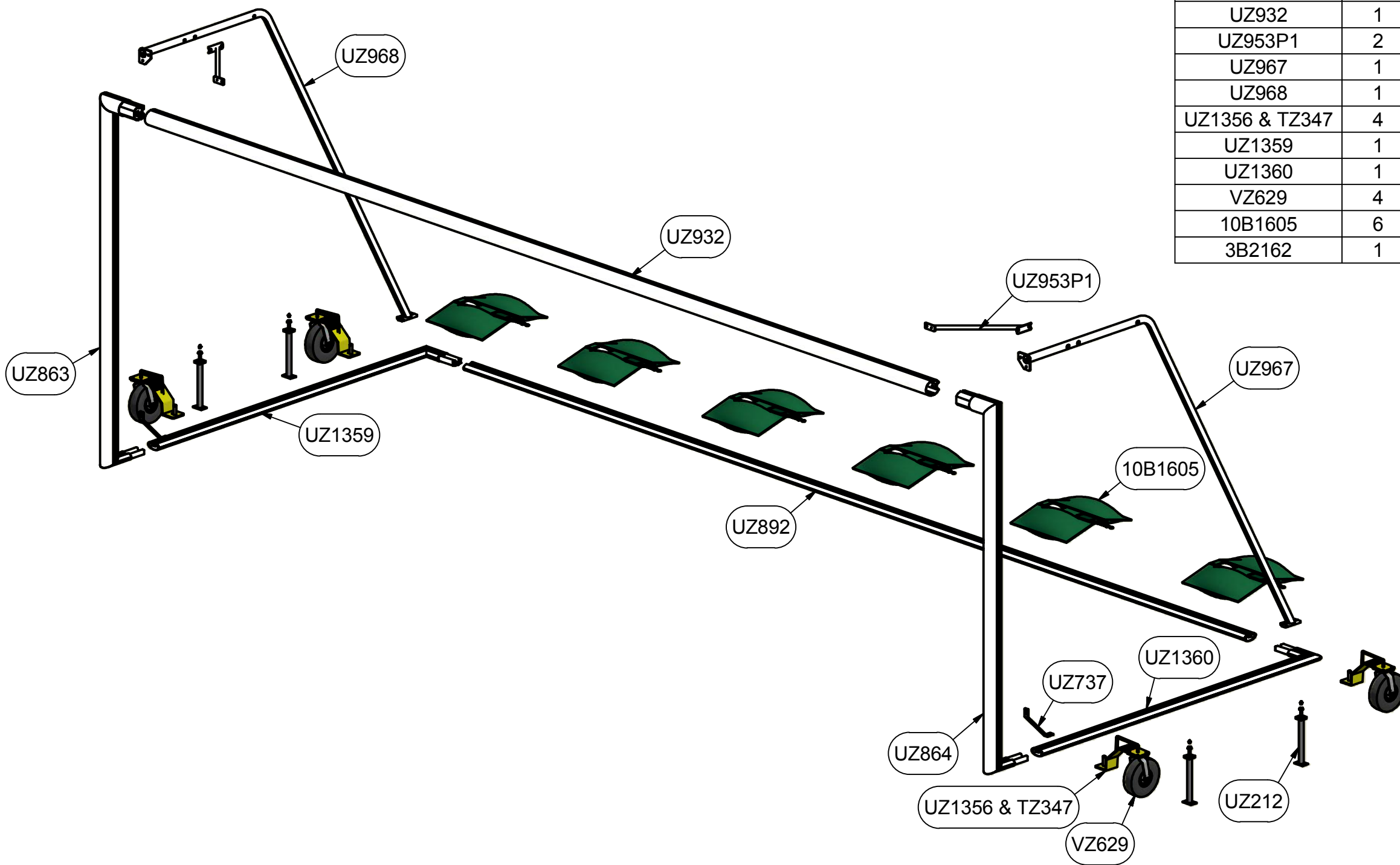


### BOTTOM BAR & BASES MATERIAL - ALUMINUM

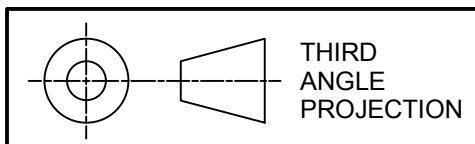


### BACKDROPS MATERIAL - ALUMINUM

<p>THIRD ANGLE PROJECTION</p>	<p>140 Pacific Drive Quakertown, Pa. 18951</p>	
	<p>DIMENSIONS ARE IN INCHES UNLESS OTHERWISE SPECIFIED</p>	<p>Approved By:</p> <p>Date:</p>
<p>This item is the <b>exclusive</b> property of <b>KWIK GOAL LTD.</b> Reproduction or duplication <b>without</b> the express written consent of <b>KWIK GOAL LTD.</b> is <b>strictly forbidden.</b></p>	<p>Drawn By: jwillenbecher</p> <p>Date: 10/19/2012</p> <p>Sheet: 3 of 4</p> <p>Revision #: 2</p> <p>Cad File: 2B3306SW.idw</p>	<p>Desc:</p> <p>8' x 24' EVOLUTION 1.1 GOAL w/SWIVEL WHEELS</p>



Parts List		
Part#	Qty	Description
UZ212	4	GROUND ANCHOR ASSEMBLY
UZ737	2	POST BRACE
UZ863	1	LEFT POST, 2B3306
UZ864	1	RIGHT POST, 2B3306
UZ892	1	BACK BOTTOM BAR, 2B3306
UZ932	1	CROSSBAR
UZ953P1	2	BACKDROP BRACE
UZ967	1	BACKDROP, EVOLUTION, RIGHT SIDE
UZ968	1	BACKDROP, EVOLUTION, LEFT SIDE
UZ1356 & TZ347	4	SWIVEL WHEEL MOUNT ASSEMBLY
UZ1359	1	LEFT BASE, 2B3306SW
UZ1360	1	RIGHT BASE, 2B3306
VZ629	4	SWIVEL WHEEL CASTER 10 IN
10B1605	6	SADDLE ANCHOR BAG
3B2162	1	NET, SOCCER GOAL



**KWIKGOAL**® 140 Pacific Drive  
Quakertown,  
Pa. 18951

DIMENSIONS ARE IN INCHES  
UNLESS OTHERWISE SPECIFIED

Approved By:  
Date:

Part #:  
**2B3306SW**

This item is the **exclusive** property of **KWIK GOAL LTD.** Reproduction or duplication **without** the express written consent of **KWIK GOAL LTD.** is **strictly forbidden.**

Drawn By: jwillenbecher  
Date: 10/19/2012  
Sheet: 4 of 4  
Revision #: 2  
Cad File: 2B3306SW.idw

Desc:  
8' x 24'  
EVOLUTION 1.1 GOAL  
w/SWIVEL WHEELS