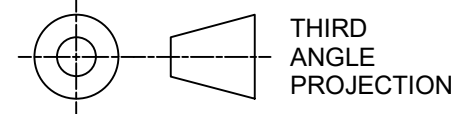


FEATURES:

- 1) ALUMINUM GOAL FRAME
- 2) FINISH: WHITE POWDER COAT
- 3) INCLUDED:
 - J- ANCHORS
 - 2.4 mm, WHITE NET
 - NET ATTACHMENT STRAPS
- 4) ASSEMBLED GOAL WEIGHT: 50 LBS.
- 5) EXCEEDS:
 - ASTM F2950-14 STANDARD



THIRD ANGLE PROJECTION

KWIKGOAL® 140 Pacific Drive
Quakertown, Pa. 18951

DIMENSIONS ARE IN INCHES UNLESS OTHERWISE SPECIFIED

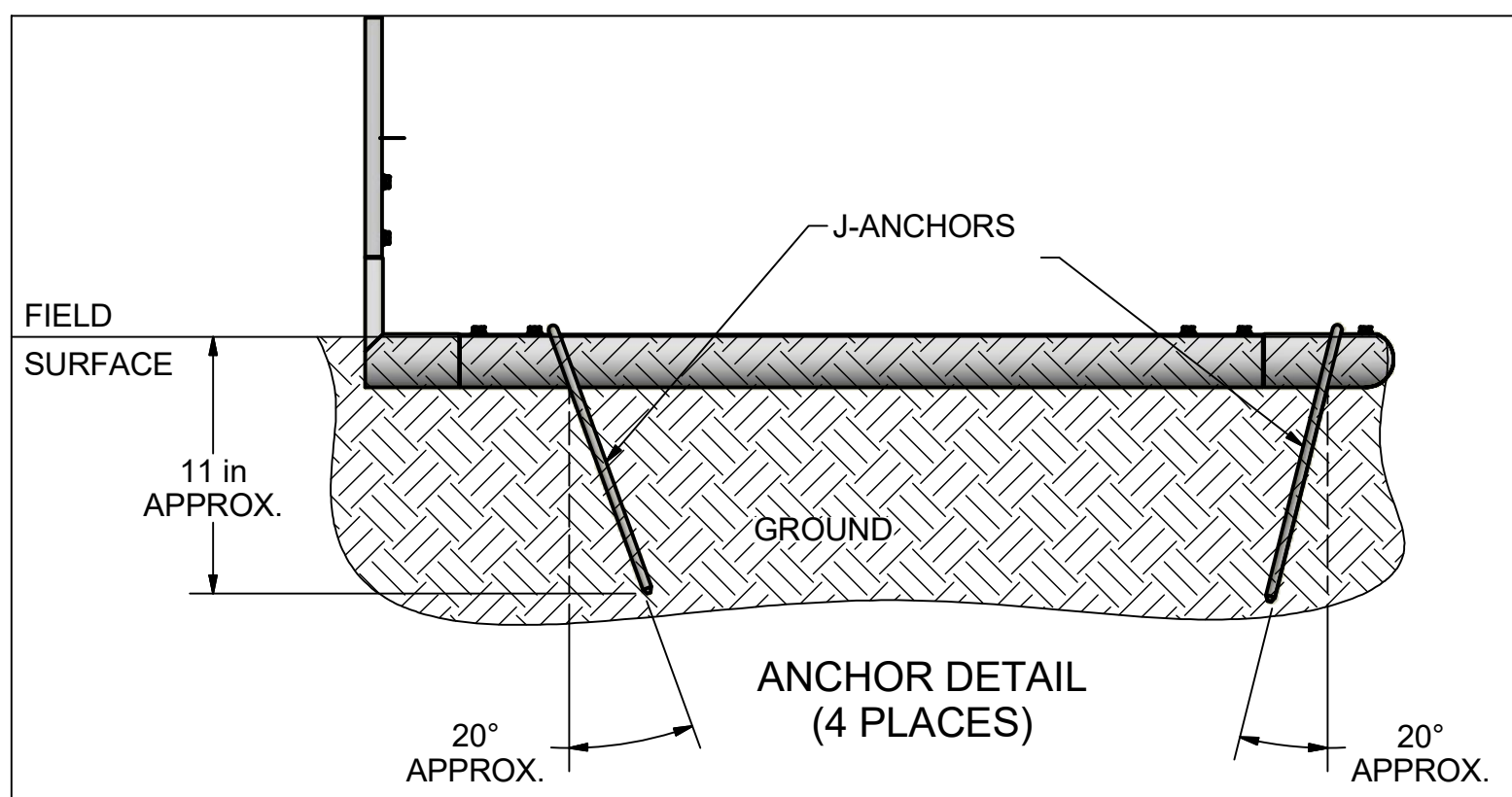
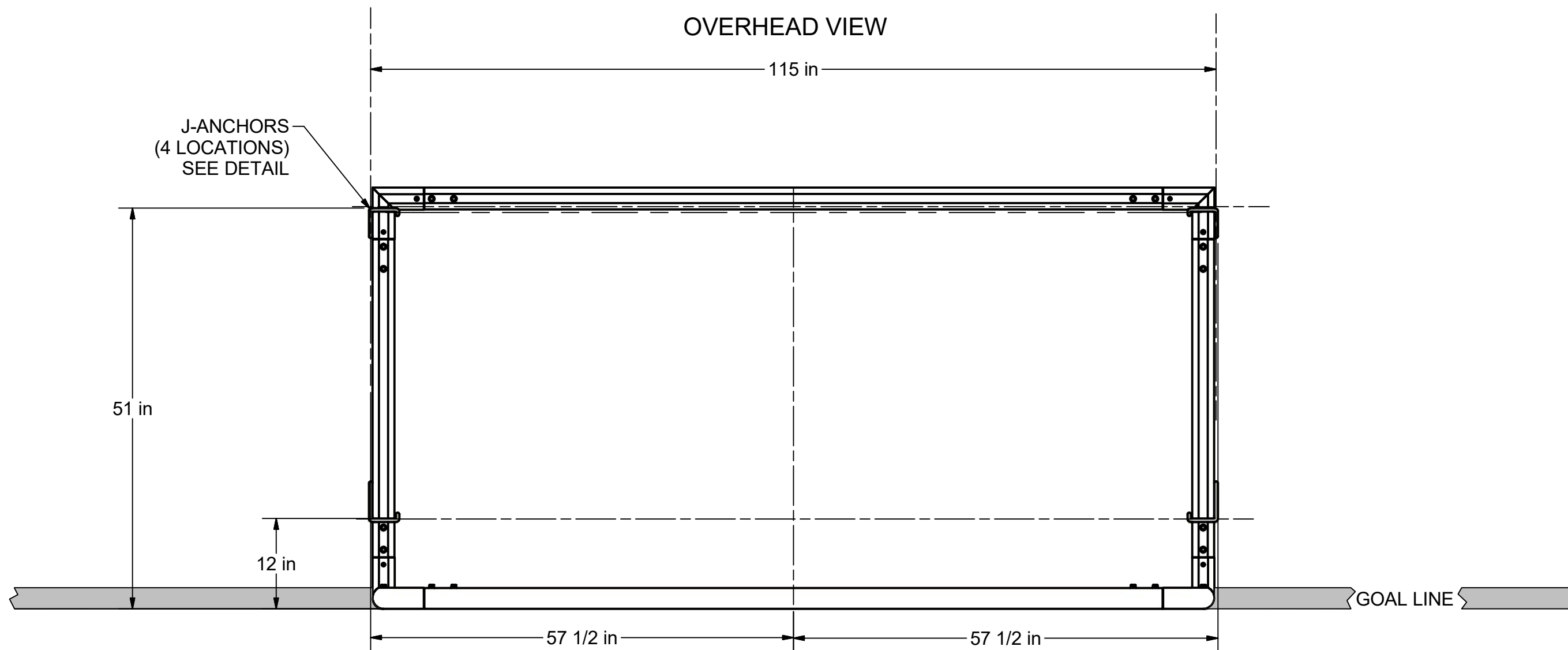
Approved By:
Date:

Part #:
2B5002

This item is the **confidential** property of **KWIK GOAL LTD.** Reproduction or duplication **without** the express written consent of **KWIK GOAL LTD.** is **strictly forbidden.**

Drawn By: KFrish
Date: 2/1/2011
Sheet: 1 of 4
Revision #: 5
Cad File: 2B5002.idw

Desc:
4-1/2' X 9' ACADEMY GOAL

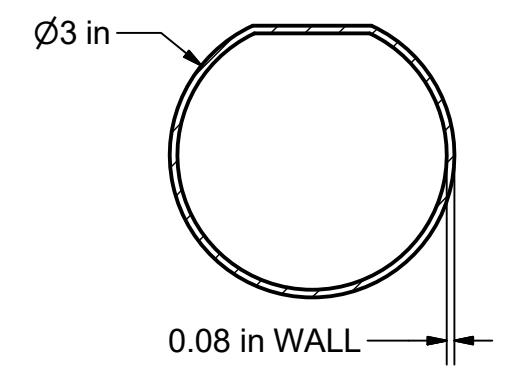


NOTES:

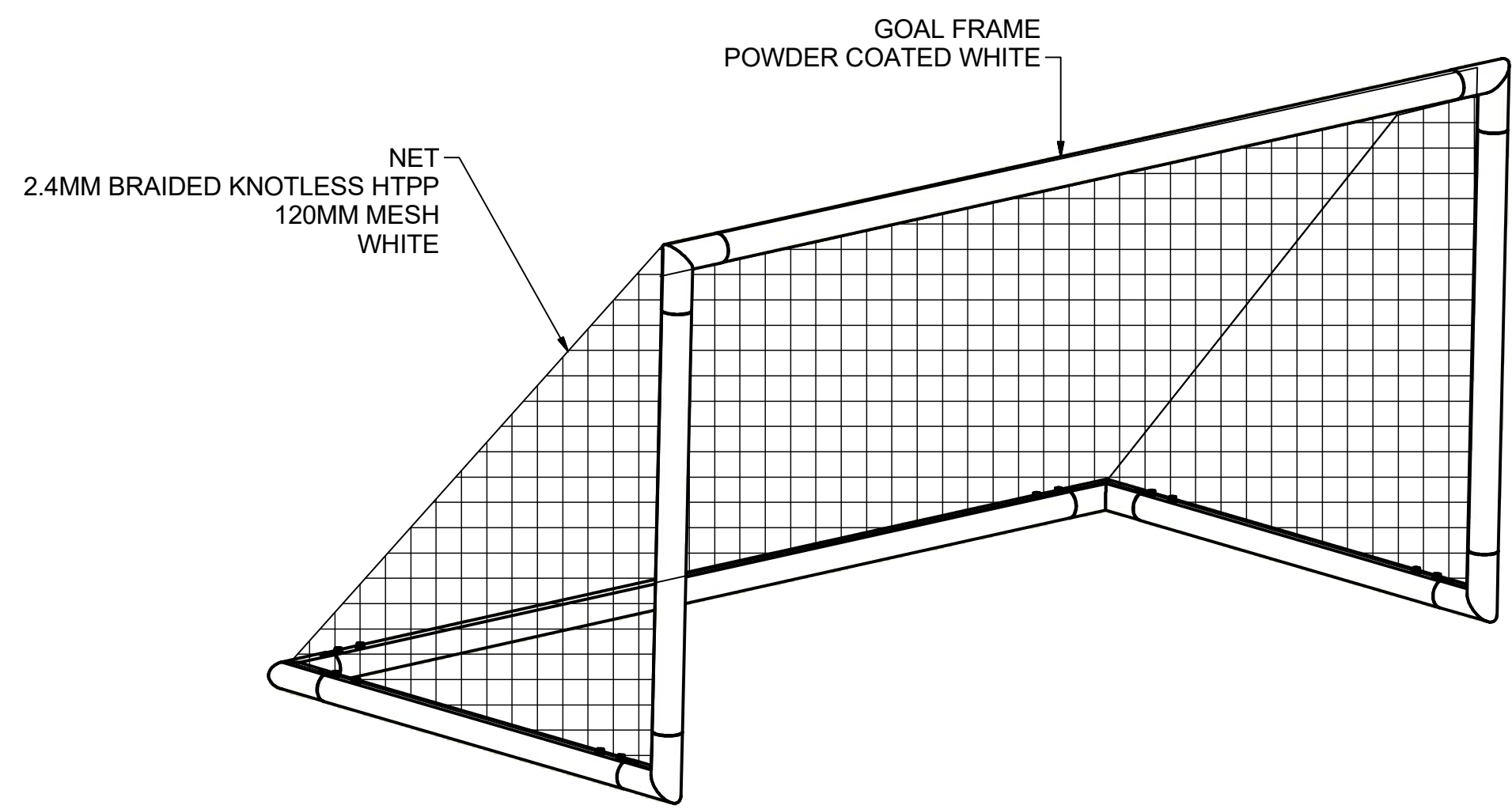
- 1) DIMENSIONS ARE FOR PLANNING PURPOSES. INSTALLATION MUST BE IN ACCORDANCE WITH INSTALLATION INSTRUCTIONS.

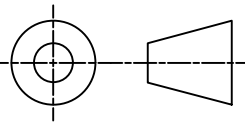

 THIRD ANGLE PROJECTION	 140 Pacific Drive Quakertown, Pa. 18951	
	DIMENSIONS ARE IN INCHES UNLESS OTHERWISE SPECIFIED	Approved By: Date:
This item is the confidential property of KWIK GOAL LTD. Reproduction or duplication without the express written consent of KWIK GOAL LTD. is strictly forbidden.	Drawn By: KFrish Date: 2/1/2011 Sheet: 2 of 4 Revision #: 5 Cad File: 2B5002.idw	Desc: 4-1/2' X 9' ACADEMY GOAL

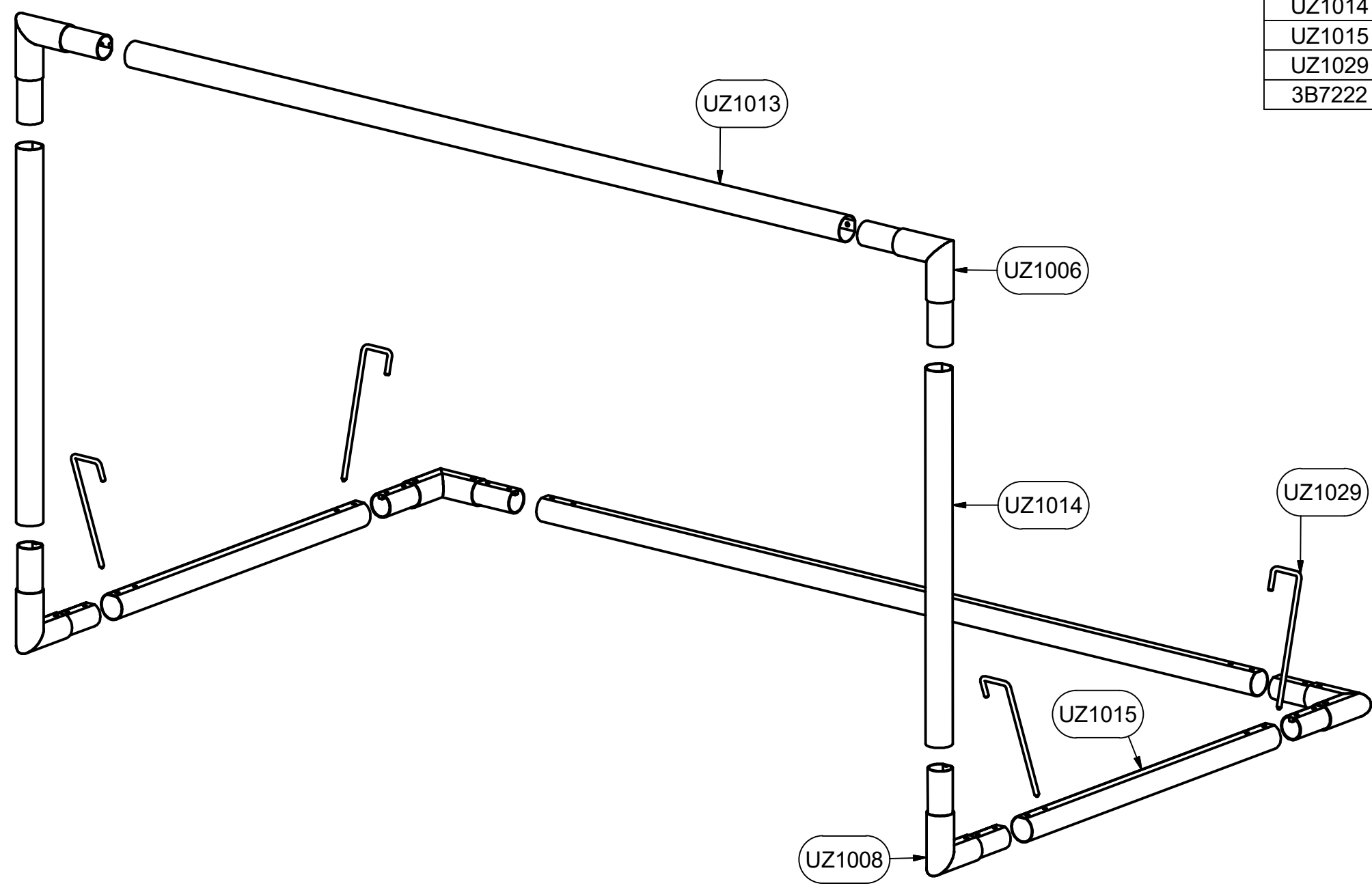
MATERIAL DETAIL



GOAL FRAME
MATERIAL - ALUMINUM



 <p>THIRD ANGLE PROJECTION</p>	 <p>140 Pacific Drive Quakertown, Pa. 18951</p>	
	<p>DIMENSIONS ARE IN INCHES UNLESS OTHERWISE SPECIFIED</p>	<p>Approved By:</p> <p>Date:</p>
<p>This item is the confidential property of KWIK GOAL LTD. Reproduction or duplication without the express written consent of KWIK GOAL LTD. is strictly forbidden.</p>	<p>Drawn By: KFrish</p> <p>Date: 2/1/2011</p> <p>Sheet: 3 of 4</p> <p>Revision #: 5</p> <p>Cad File: 2B5002.idw</p>	<p>Desc:</p> <p>4-1/2' X 9' ACADEMY GOAL</p>



Parts List		
Part #	Qty	Description
UZ1006	4	CORNER ASSEMBLY, CROSSBAR
UZ1008	2	CORNER ASSEMBLY, POST
UZ1013	2	CROSSBAR, 2B5002
UZ1014	2	POST, 2B5002
UZ1015	2	BASE, 2B5002
UZ1029	4	ANCHOR PEG, J-STYLE
3B7222	1	NET, SOCCER GOAL

<p>THIRD ANGLE PROJECTION</p>	<p>140 Pacific Drive Quakertown, Pa. 18951</p>	
	<p>DIMENSIONS ARE IN INCHES UNLESS OTHERWISE SPECIFIED</p>	<p>Approved By:</p> <p>Date:</p>
<p>This item is the confidential property of KWIK GOAL LTD. Reproduction or duplication without the express written consent of KWIK GOAL LTD. is strictly forbidden.</p>	<p>Drawn By: KFrish</p> <p>Date: 2/1/2011</p>	<p>Desc:</p> <p>4-1/2' X 9' ACADEMY GOAL</p>
	<p>Sheet: 4 of 4</p> <p>Revision #: 5</p>	
	<p>Cad File: 2B5002.idw</p>	