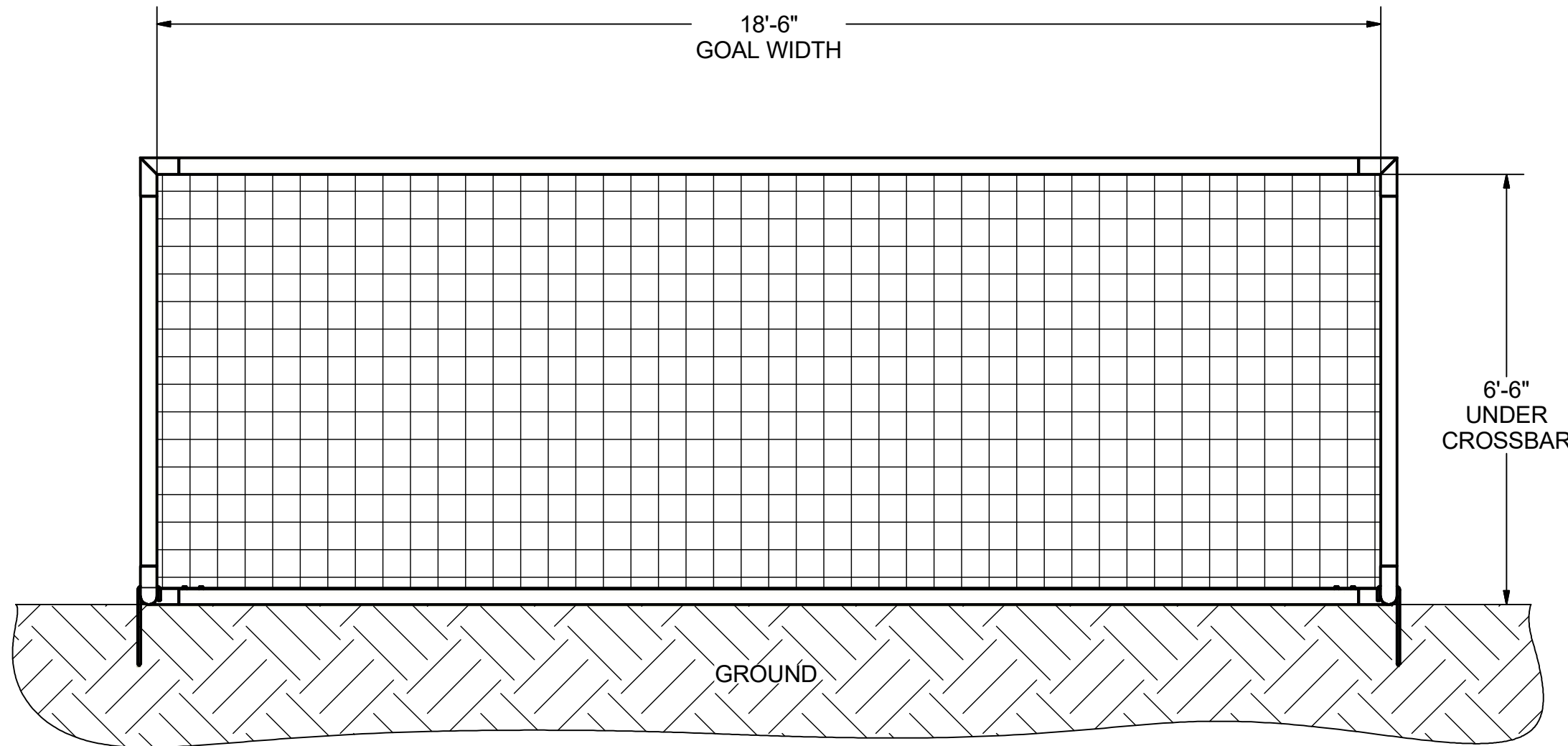
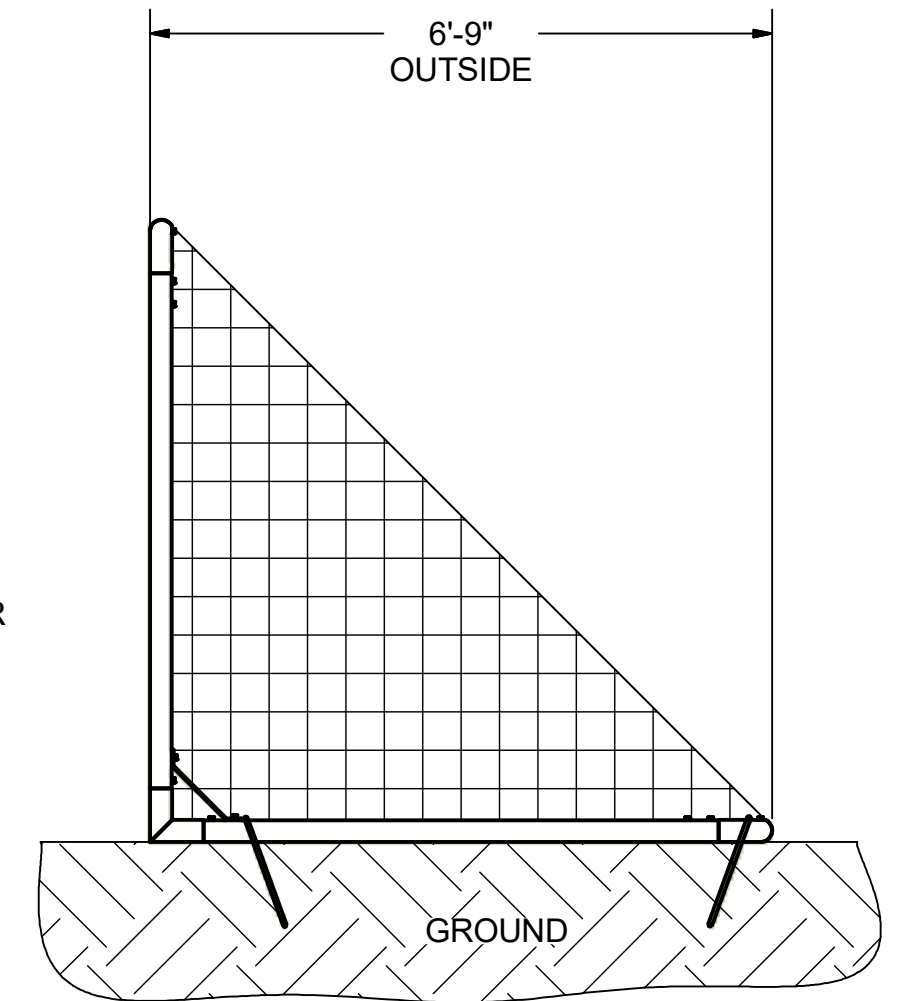


FRONT VIEW

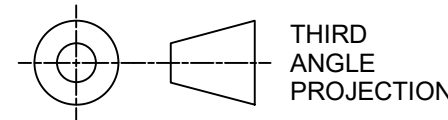


SIDE VIEW



FEATURES:

- 1) ALUMINUM GOAL FRAME
- 2) FINISH: WHITE POWDER COAT
- 3) INCLUDED:
  - J- ANCHORS
  - 2.4mm WHITE NET
  - NET ATTACHMENT STRAPS
- 4) ASSEMBLED GOAL WEIGHT: 77 LBS.
- 5) EXCEEDS:
  - ASTM F2950-14 STANDARD



THIRD ANGLE PROJECTION



140 Pacific Drive  
Quakertown, Pa. 18951

DIMENSIONS ARE IN INCHES UNLESS OTHERWISE SPECIFIED

Approved By:  
Date:

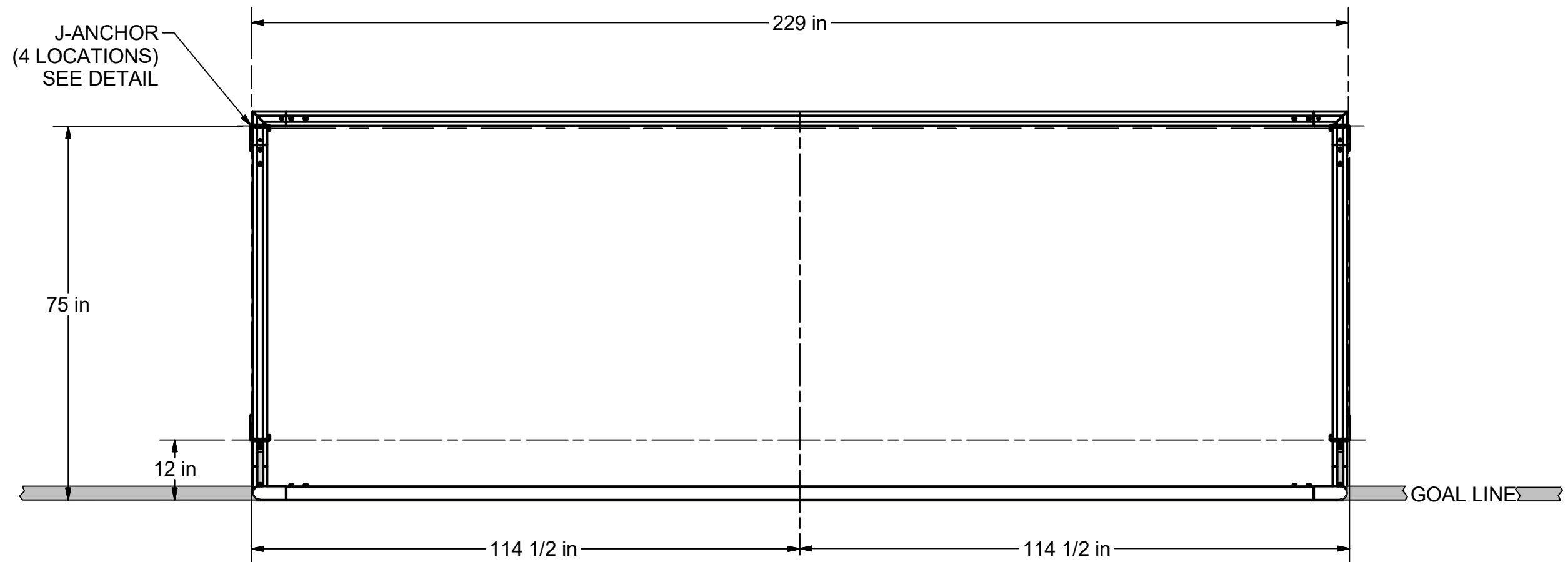
Part #: **2B5004**

This item is the **confidential** property of **KWIK GOAL LTD.** Reproduction or duplication **without** the express written consent of **KWIK GOAL LTD.** is **strictly forbidden.**

Drawn By: BRush  
Date: 7/18/2006  
Sheet: 1 of 4  
Revision #: 6  
Cad File: 2B5004.idw

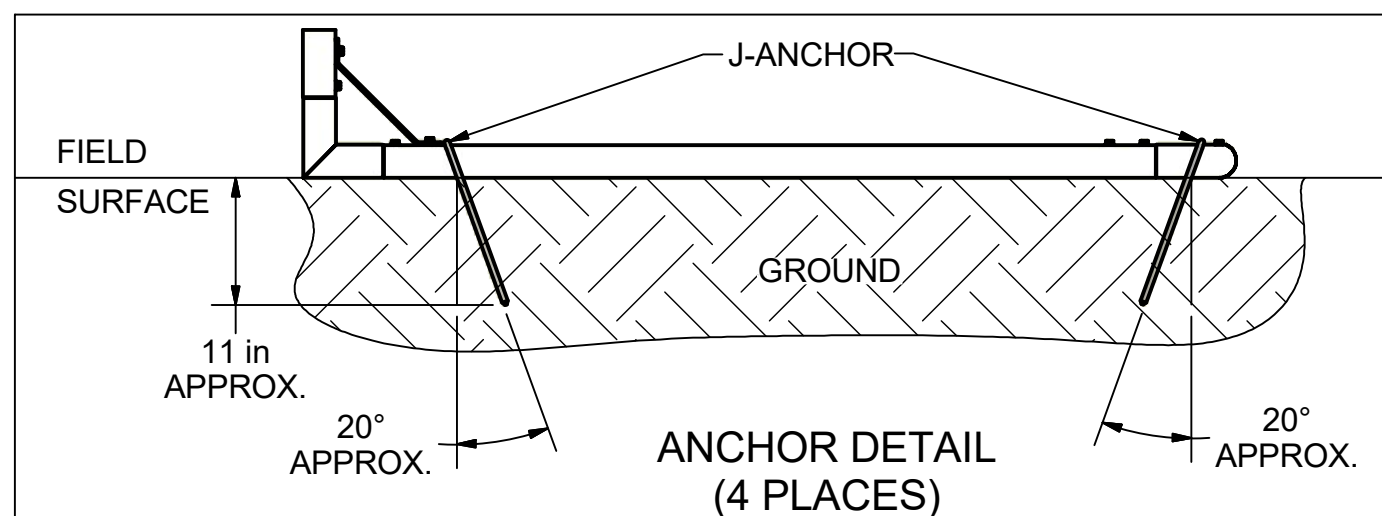
Desc: 6-1/2' X 18-1/2' ACADEMY GOAL

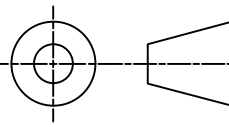

OVERHEAD VIEW

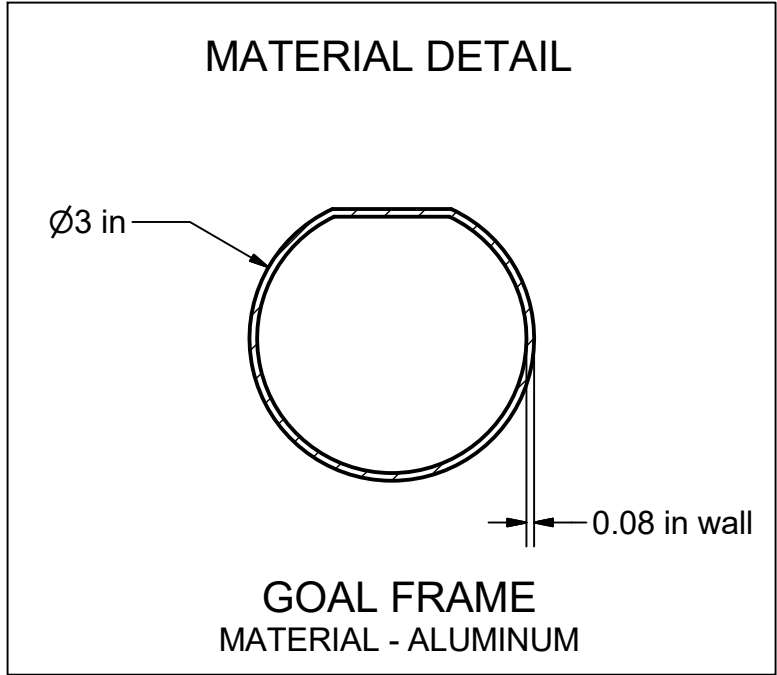


NOTES:

- 1) DIMENSIONS ARE FOR PLANNING PURPOSES. INSTALLATION MUST BE IN ACCORDANCE WITH INSTALLATION INSTRUCTIONS.

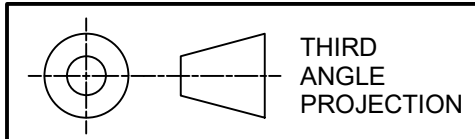
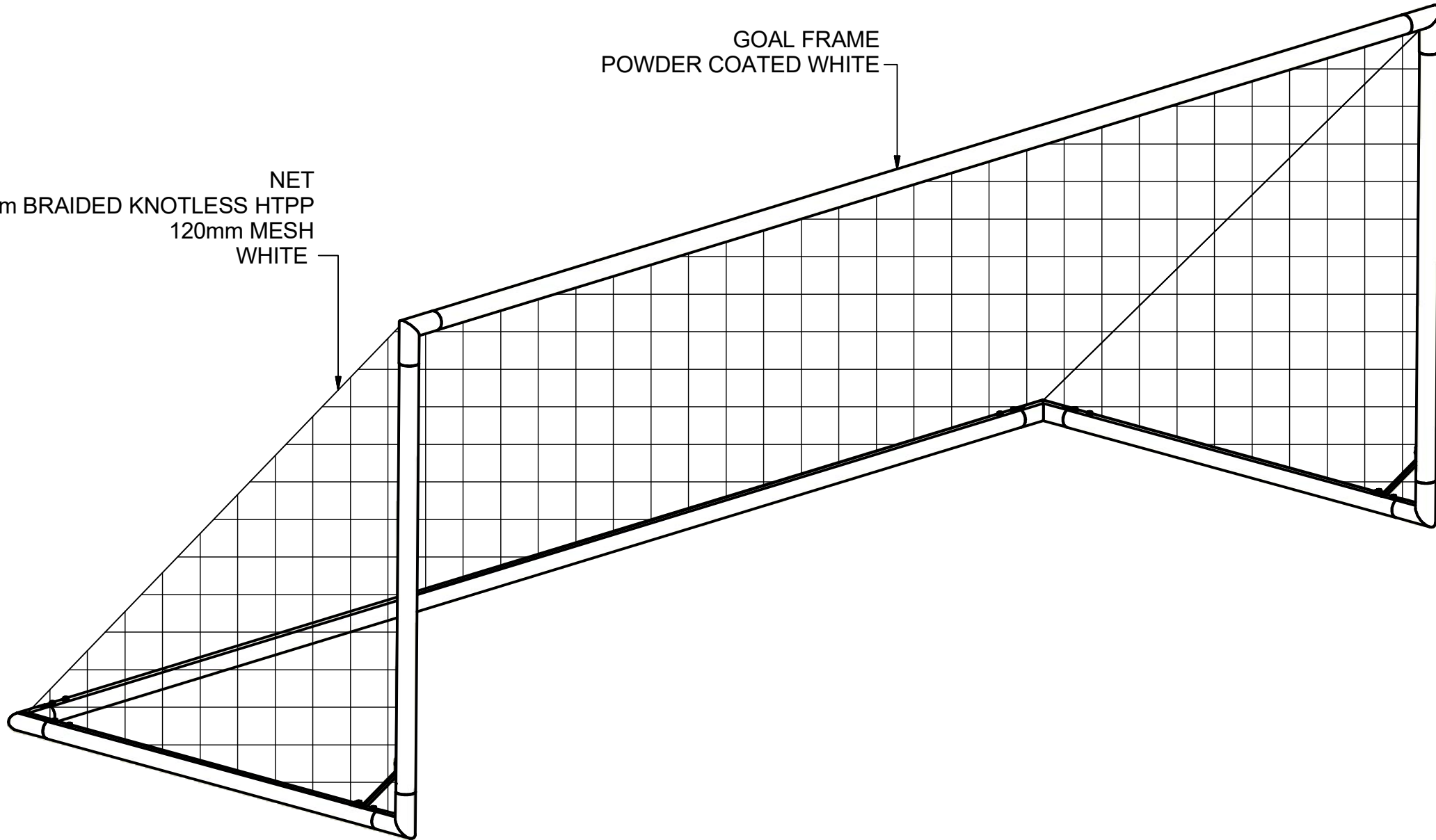


 THIRD ANGLE PROJECTION	 <b>KWIKGOAL</b> ® 140 Pacific Drive Quakertown, Pa. 18951	
	DIMENSIONS ARE IN INCHES UNLESS OTHERWISE SPECIFIED	Approved By: Date:
This item is the <b>confidential</b> property of <b>KWIK GOAL LTD.</b> Reproduction or duplication <b>without</b> the express written consent of <b>KWIK GOAL LTD.</b> is <b>strictly forbidden.</b>	Drawn By: BRush	Desc: 6-1/2' X 18-1/2' ACADEMY GOAL
	Date: 7/18/2006	
	Sheet: 2 of 4	
	Revision #: 6	
	Cad File: 2B5004.idw	



GOAL FRAME  
POWDER COATED WHITE

NET  
2.4mm BRAIDED KNOTLESS HTPP  
120mm MESH  
WHITE



**KWIKGOAL**® 140 Pacific Drive  
Quakertown,  
Pa. 18951

DIMENSIONS ARE IN INCHES  
UNLESS OTHERWISE SPECIFIED

Approved By:  
Date:

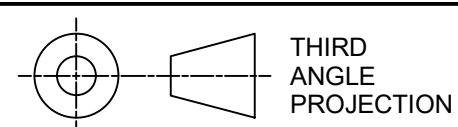
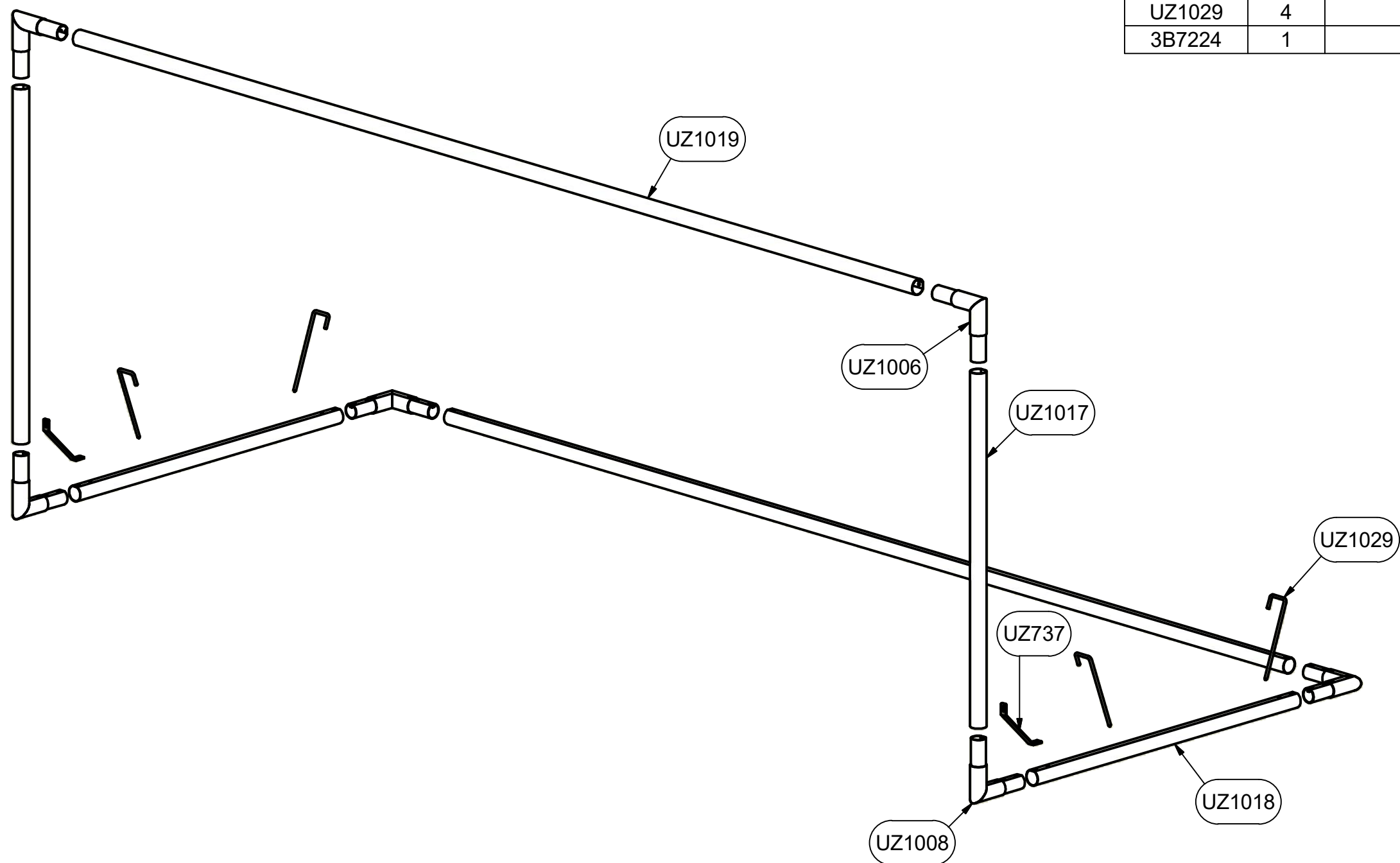
Part #:  
**2B5004**

This item is the **confidential**  
property of **KWIK GOAL LTD.**  
Reproduction or duplication  
**without** the express written  
consent of **KWIK GOAL LTD.**  
is **strictly forbidden.**

Drawn By: BRush  
Date: 7/18/2006  
Sheet: 3 of 4  
Revision #: 6  
Cad File: 2B5004.idw

Desc:  
6-1/2' X 18-1/2' ACADEMY  
GOAL

Parts List		
Part #	Qty	Description
UZ737	2	POST BRACE
UZ1006	4	CORNER ASSEMBLY, CROSSBAR
UZ1008	2	CORNER ASSEMBLY, POST
UZ1017	2	POST, 2B5003/4
UZ1018	2	BASE, 2B5003/4
UZ1019	2	CROSSBAR, 2B5004
UZ1029	4	ANCHOR PEG, J-STYLE
3B7224	1	NET, SOCCER GOAL



**KWIKGOAL**® 140 Pacific Drive  
Quakertown, Pa. 18951

DIMENSIONS ARE IN INCHES  
UNLESS OTHERWISE SPECIFIED

Approved By:  
Date:

Part #:  
**2B5004**

This item is the **confidential** property of **KWIK GOAL LTD.** Reproduction or duplication **without** the express written consent of **KWIK GOAL LTD.** is **strictly forbidden.**

Drawn By: BRush  
Date: 7/18/2006  
Sheet: 4 of 4  
Revision #: 6  
Cad File: 2B5004.idw

Desc:  
6-1/2' X 18-1/2' ACADEMY GOAL