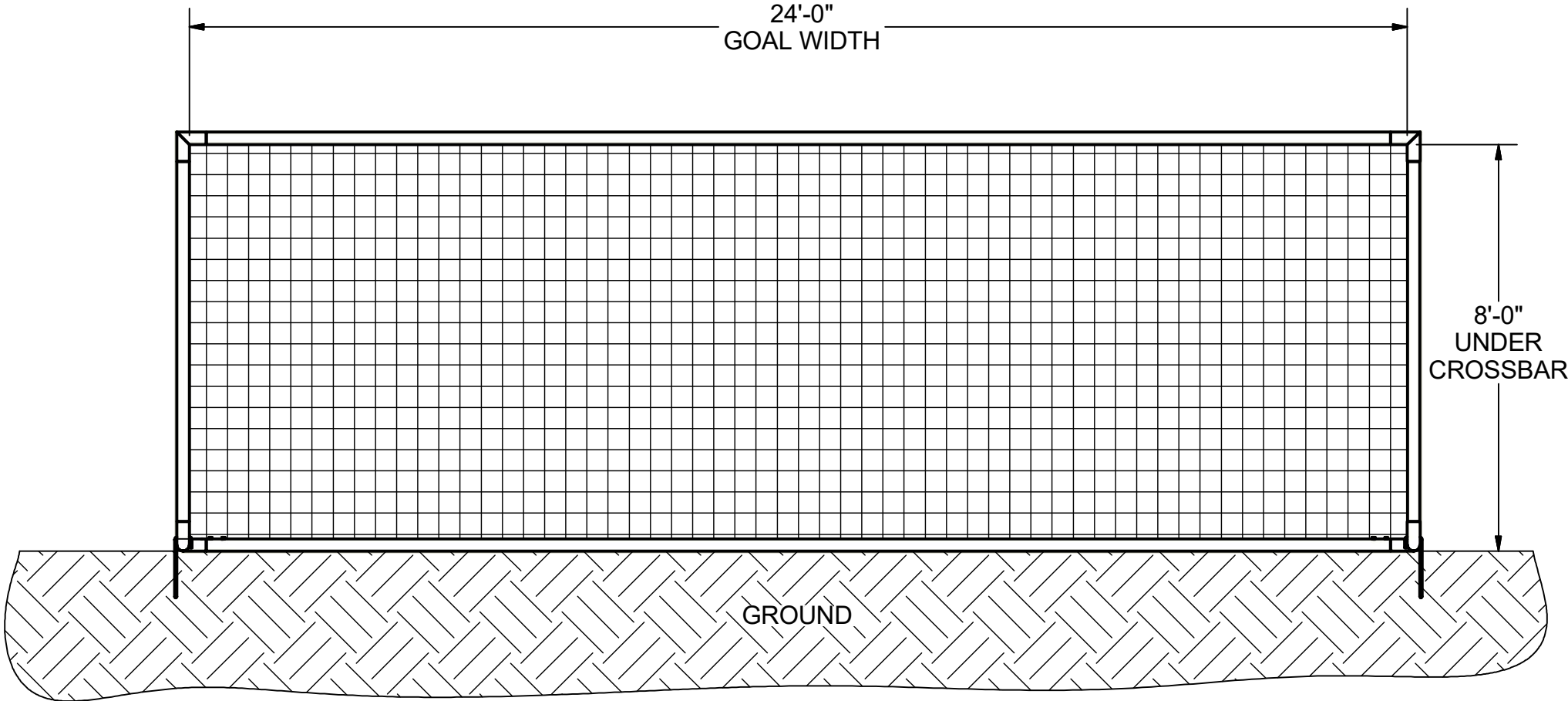
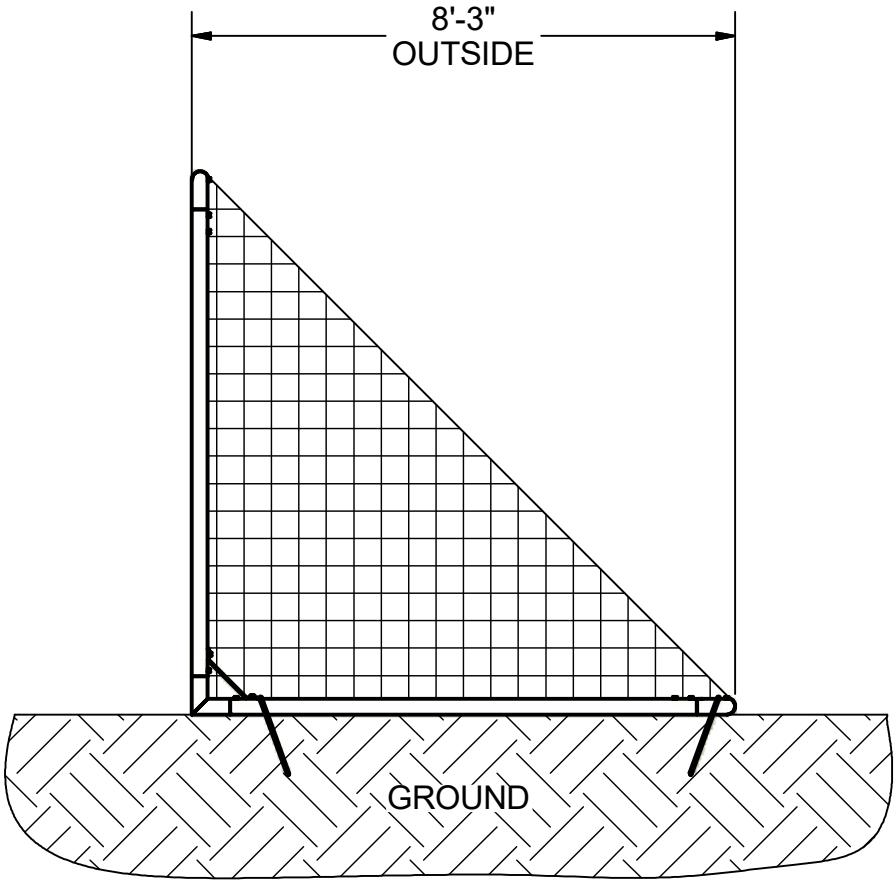


FRONT VIEW

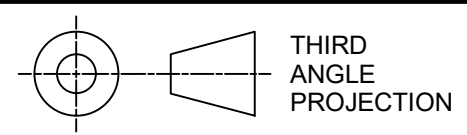


SIDE VIEW



FEATURES:

- 1) ALUMINUM GOAL FRAME
- 2) FINISH: WHITE POWDER COAT
- 3) INCLUDED:
 - J- ANCHORS
 - 2.4mm WHITE NET
 - NET ATTACHMENT STRAPS
- 4) ASSEMBLED GOAL WEIGHT: 93 LBS.
- 5) EXCEEDS:
 - ASTM F2056-00 STANDARD



THIRD ANGLE PROJECTION

KWIKGOAL® 140 Pacific Drive
Quakertown, Pa. 18951

DIMENSIONS ARE IN INCHES UNLESS OTHERWISE SPECIFIED

Approved By:
Date:

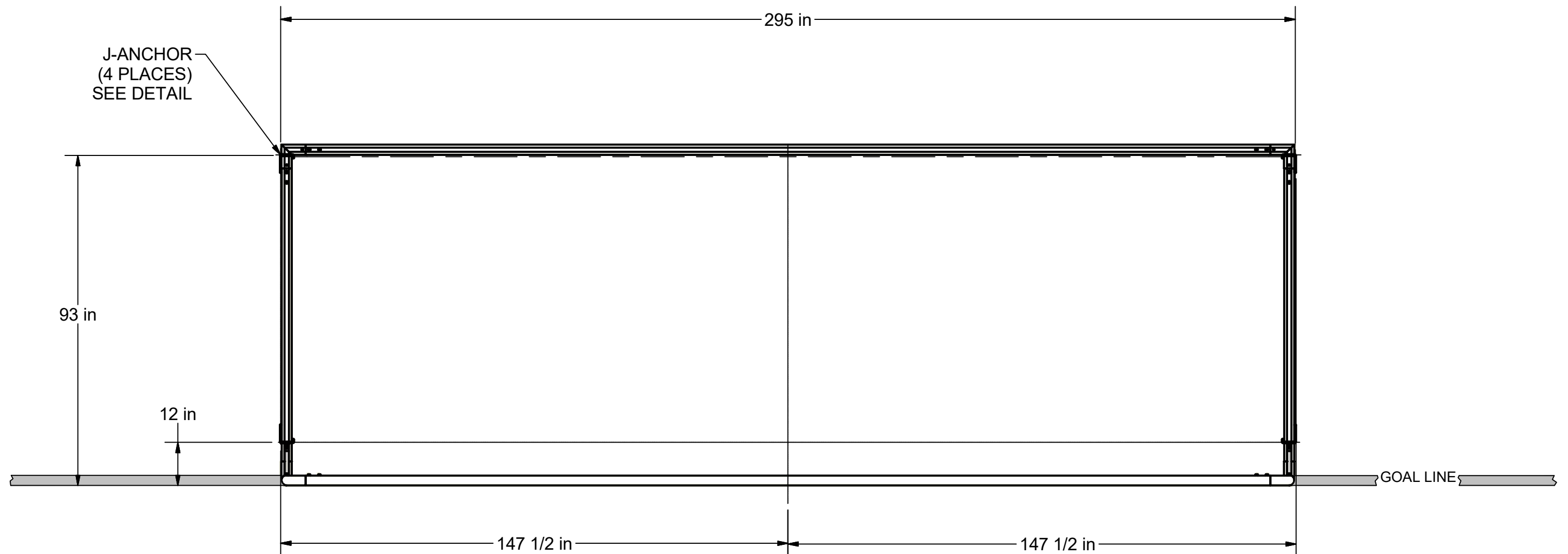
Part #:
2B5006

This item is the **confidential** property of **KWIK GOAL LTD.** Reproduction or duplication **without** the express written consent of **KWIK GOAL LTD.** is **strictly forbidden.**

Drawn By: BRush
Date: 7/18/2006
Sheet: 1 of 4
Revision #: 5
Cad File: 2B5006.idw

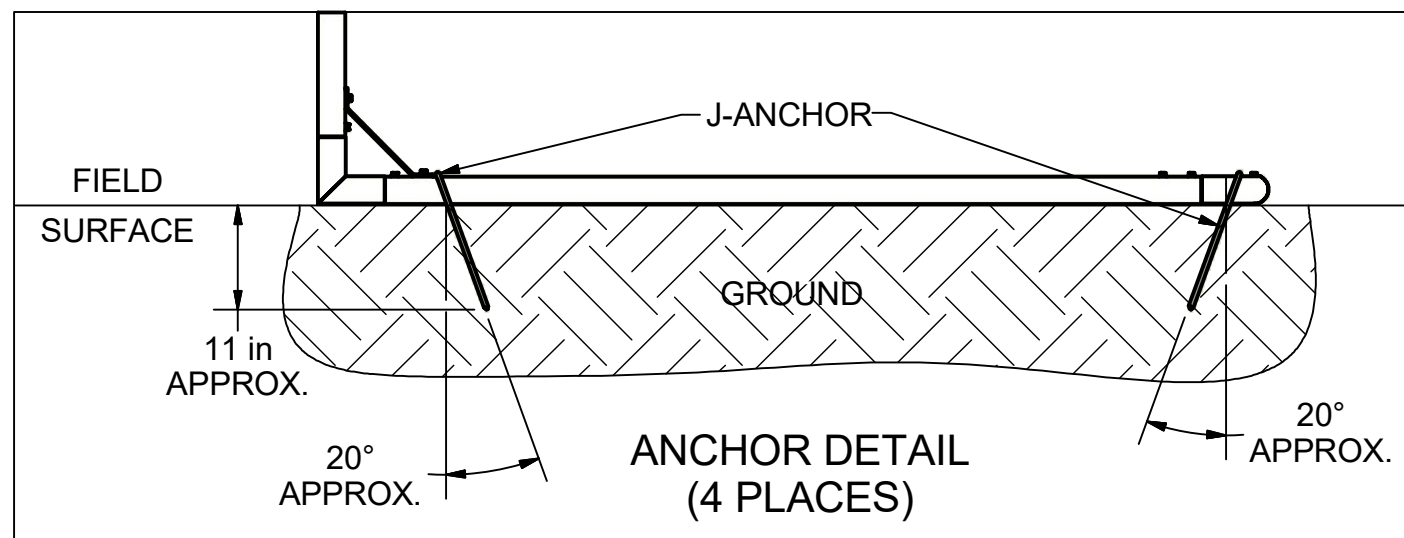
Desc:
8' X 24' ACADEMY GOAL

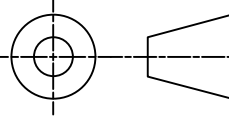

OVERHEAD VIEW

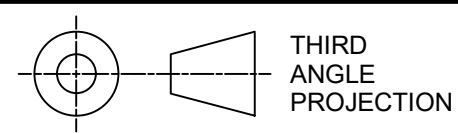
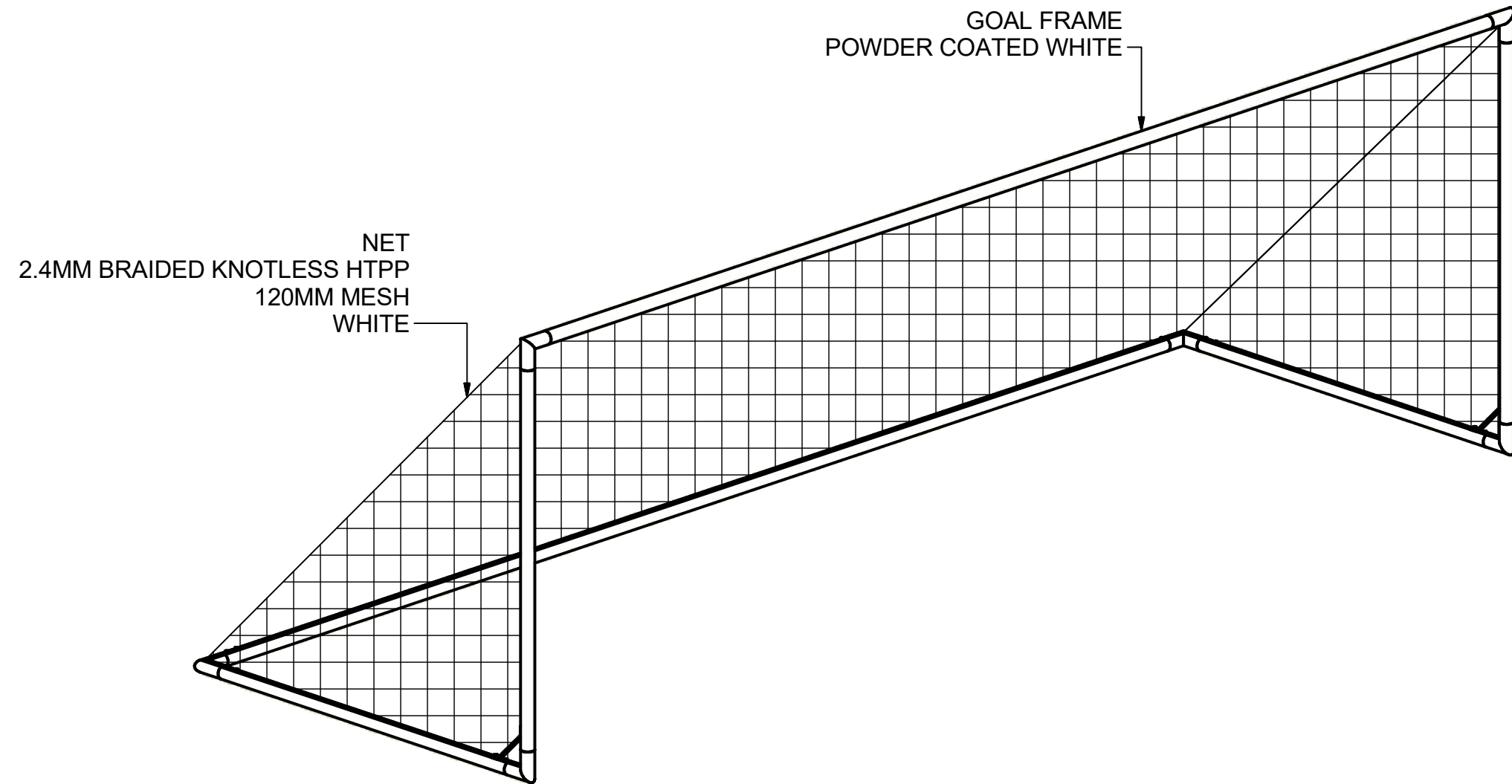
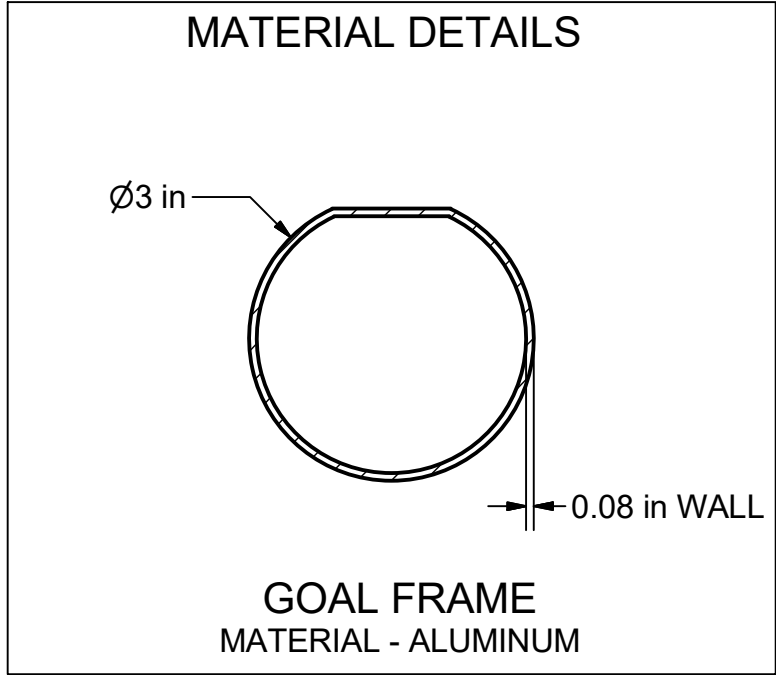


NOTES:

- 1) DIMENSIONS ARE FOR PLANNING PURPOSES. INSTALLATION MUST BE IN ACCORDANCE WITH INSTALLATION INSTRUCTIONS.



 THIRD ANGLE PROJECTION	 KWIKGOAL [®] 140 Pacific Drive Quakertown, Pa. 18951	
	DIMENSIONS ARE IN INCHES UNLESS OTHERWISE SPECIFIED	Approved By: _____ Date: _____
This item is the confidential property of KWIK GOAL LTD. Reproduction or duplication without the express written consent of KWIK GOAL LTD. is strictly forbidden.	Drawn By: BRush Date: 7/18/2006 Sheet: 2 of 4 Revision #: 5 Cad File: 2B5006.idw	Desc: 8' X 24' ACADEMY GOAL



KWIKGOAL[®] 140 Pacific Drive
Quakertown,
Pa. 18951

DIMENSIONS ARE IN INCHES
UNLESS OTHERWISE SPECIFIED

Approved By:
Date:

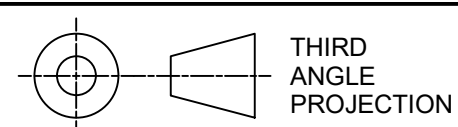
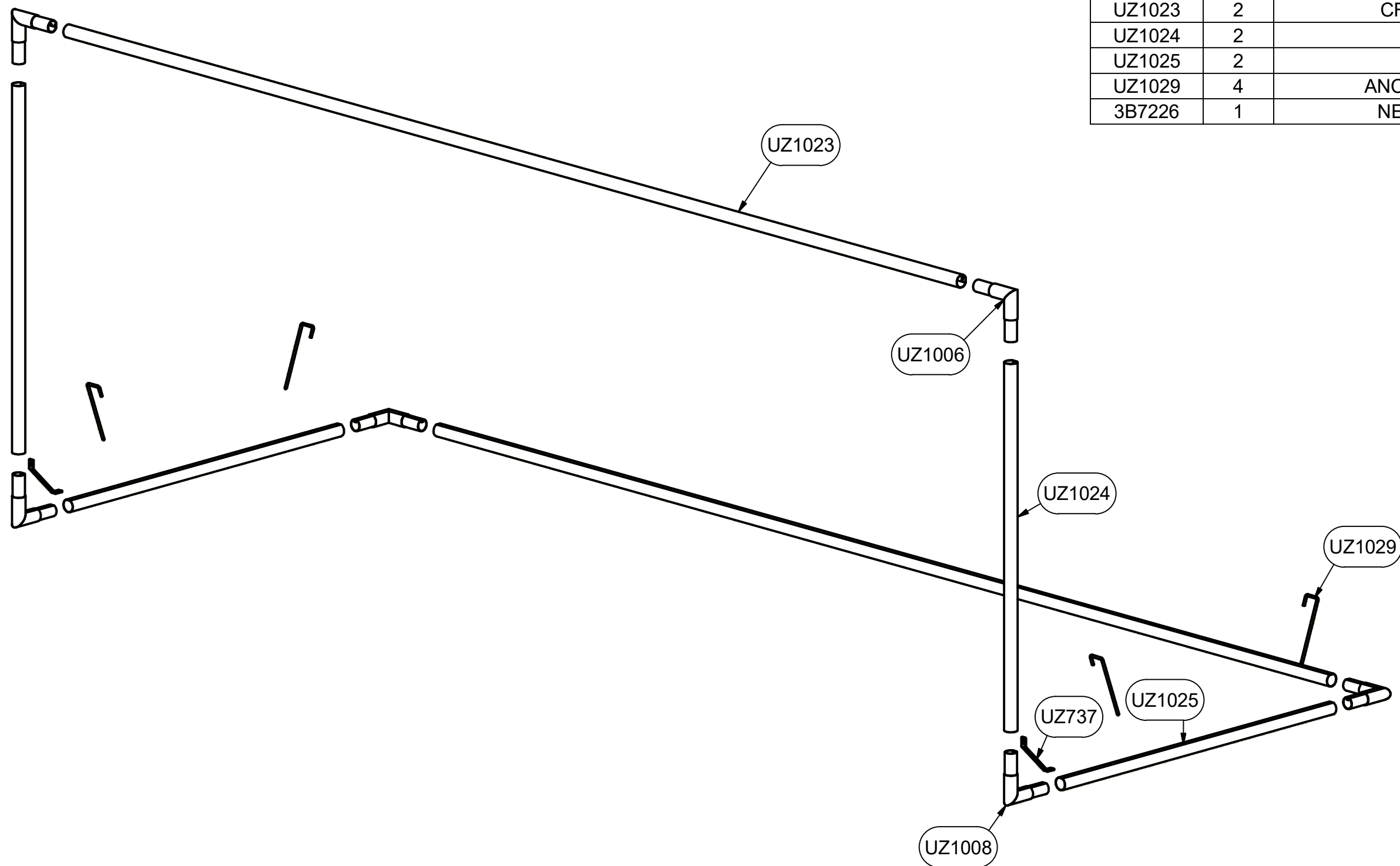
Part #:
2B5006

This item is the **confidential**
property of **KWIK GOAL LTD.**
Reproduction or duplication
without the express written
consent of **KWIK GOAL LTD.**
is **strictly forbidden.**

Drawn By: BRush
Date: 7/18/2006
Sheet: 3 of 4
Revision #: 5
Cad File: 2B5006.idw

Desc:
8' X 24' ACADEMY GOAL

Parts List		
Part #	Qty	Description
UZ737	2	POST BRACE
UZ1006	4	CORNER ASSEMBLY, CROSSBAR
UZ1008	2	CORNER ASSEMBLY, POST
UZ1023	2	CROSSBAR, 2B5006
UZ1024	2	POST, 2B5006
UZ1025	2	BASE, 2B5006
UZ1029	4	ANCHOR PEG, J-STYLE
3B7226	1	NET, SOCCER GOAL



KWIKGOAL® 140 Pacific Drive
Quakertown, Pa. 18951

DIMENSIONS ARE IN INCHES
UNLESS OTHERWISE SPECIFIED

Approved By:
Date:

Part #:
2B5006

This item is the **confidential** property of **KWIK GOAL LTD.** Reproduction or duplication **without** the express written consent of **KWIK GOAL LTD.** is **strictly forbidden.**

Drawn By: BRush
Date: 7/18/2006
Sheet: 4 of 4
Revision #: 5
Cad File: 2B5006.idw

Desc:
8' X 24' ACADEMY GOAL