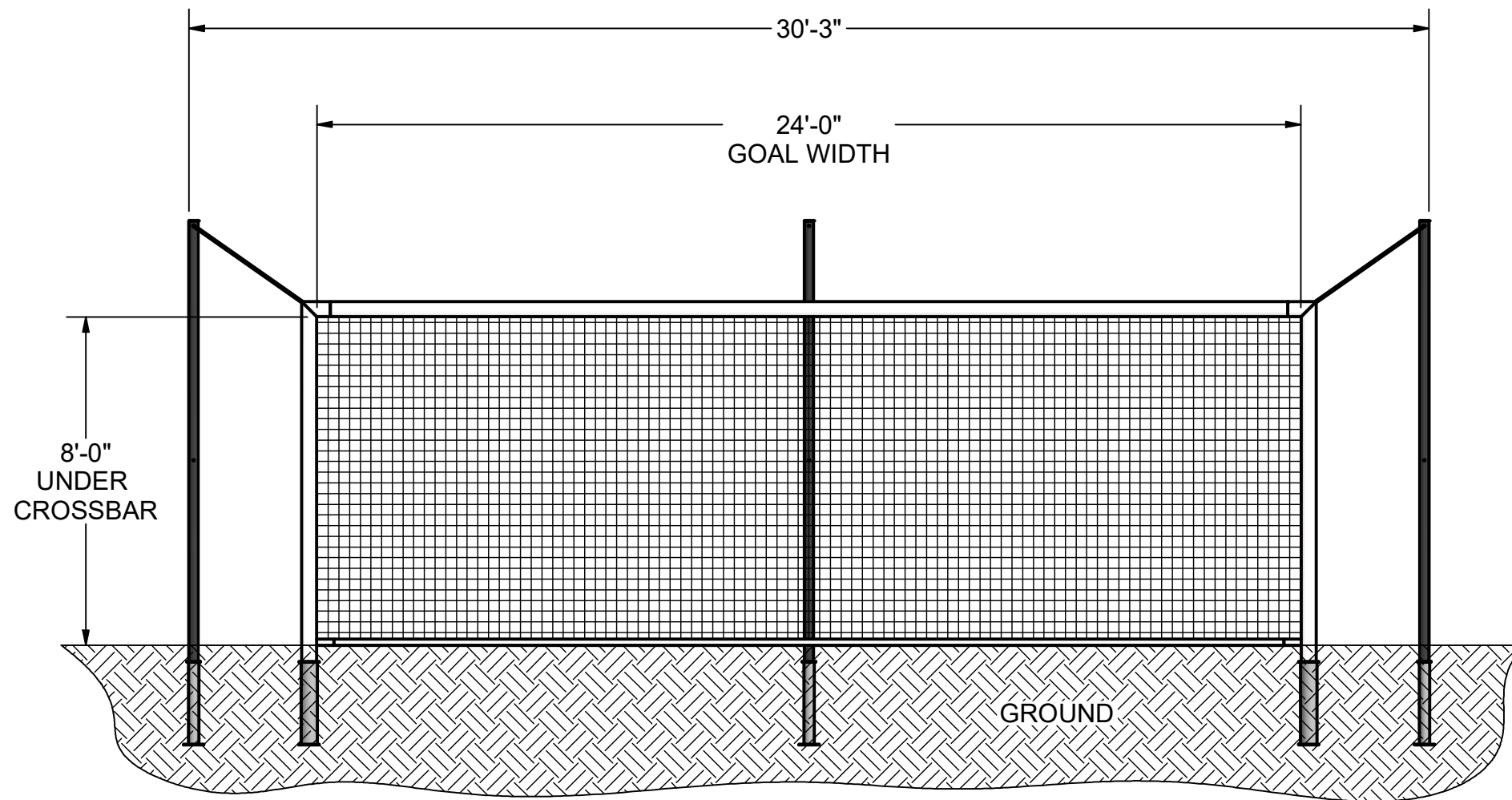
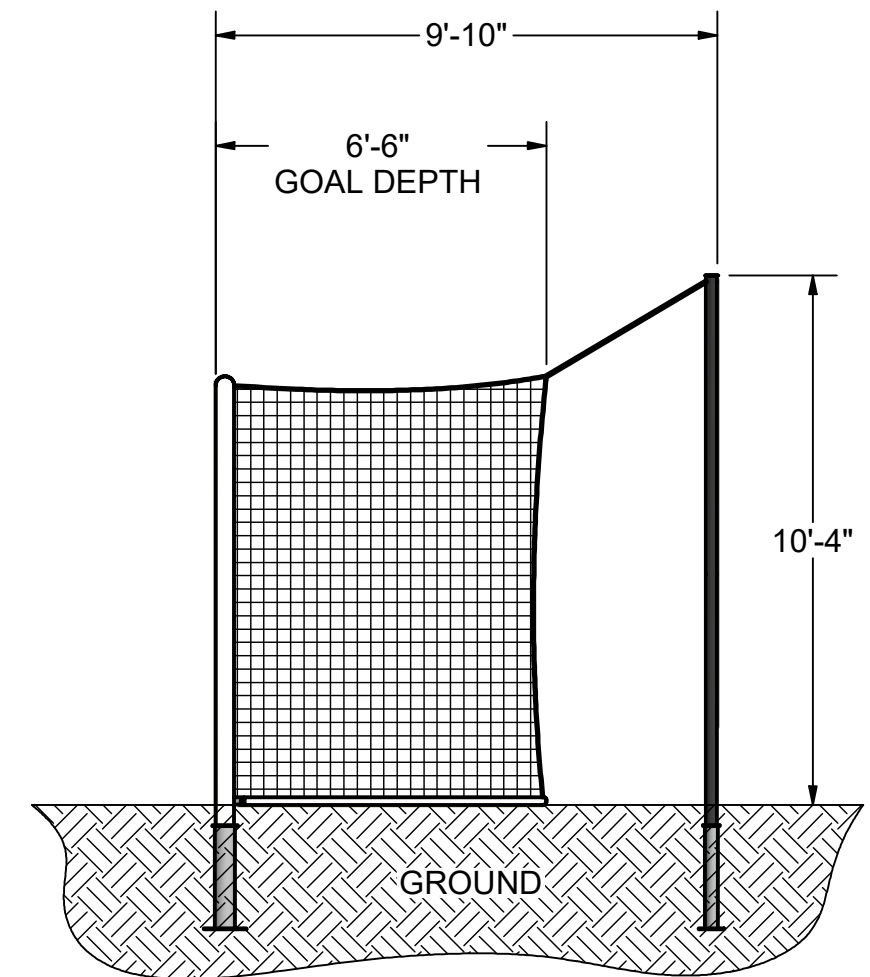


FRONT VIEW

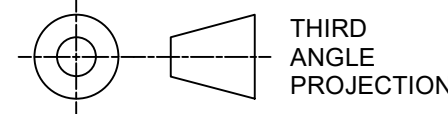


SIDE VIEW



FEATURES:

- 1) ALUMINUM POSTS, CROSSBAR, GROUND FRAME, AND BACK POLES
- 2) FINISH:
  - GOAL FRAME - WHITE POWDER COAT
  - BACK POLES - BLACK POWDER COAT
- 3) INCLUDES:
  - 3mm WHITE NET
  - KWIK LOCK® NET CLIPS
  - 5 GROUND SLEEVES WITH CAPS
  - WORLD COMPETITION NET FRAME
- 4) ASSEMBLED WEIGHT: 217 LBS.
- 5) EXCEEDS:
  - NCAA SPECIFICATIONS
  - NFSHA SPECIFICATIONS
  - ASTM F2950-14 STANDARDS



THIRD ANGLE PROJECTION



**KWIKGOAL**®

140 Pacific Drive  
Quakertown,  
Pa. 18951

DIMENSIONS ARE IN INCHES UNLESS OTHERWISE SPECIFIED

This item is the **confidential** property of **KWIK GOAL LTD.** Reproduction or duplication **without** the express written consent of **KWIK GOAL LTD.** is **strictly forbidden.**

Approved By:

Date:

Drawn By: cspeck

Date: 8/16/2004

Sheet: 1 of 4

Revision #: 6

Cad File: 2B8.idw

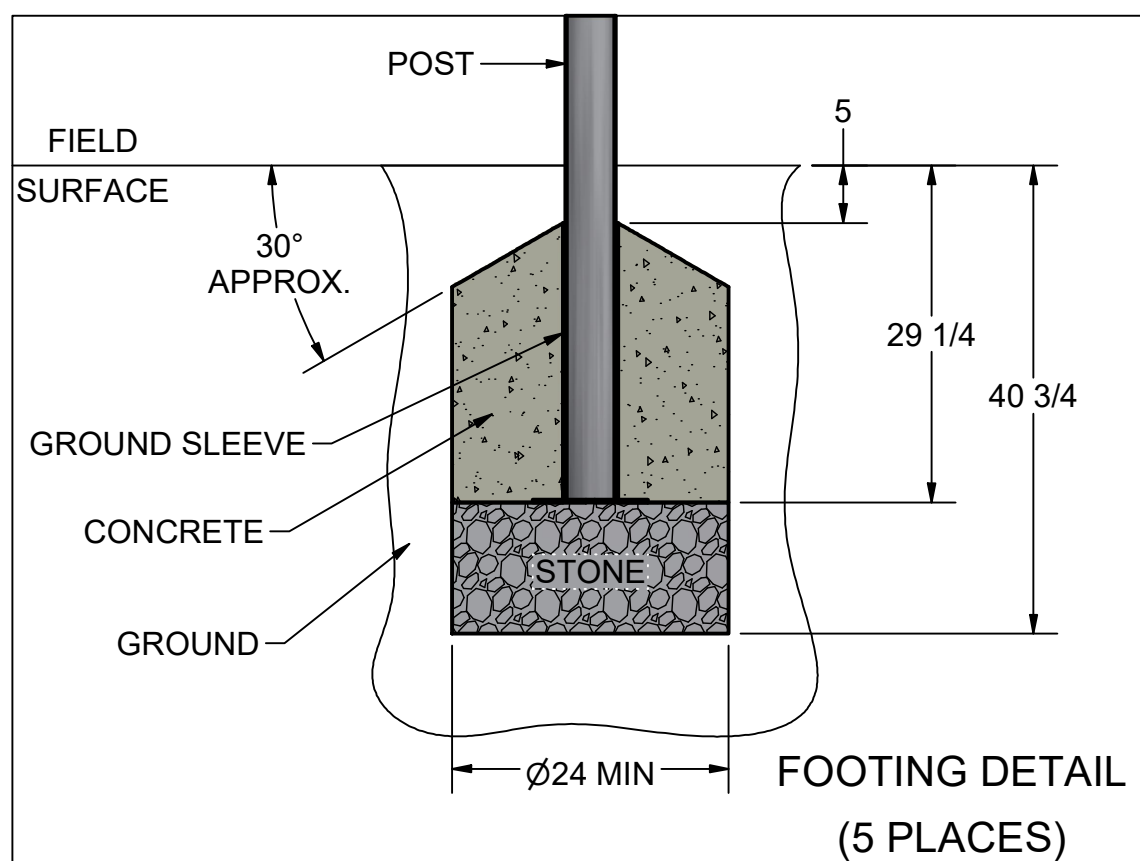
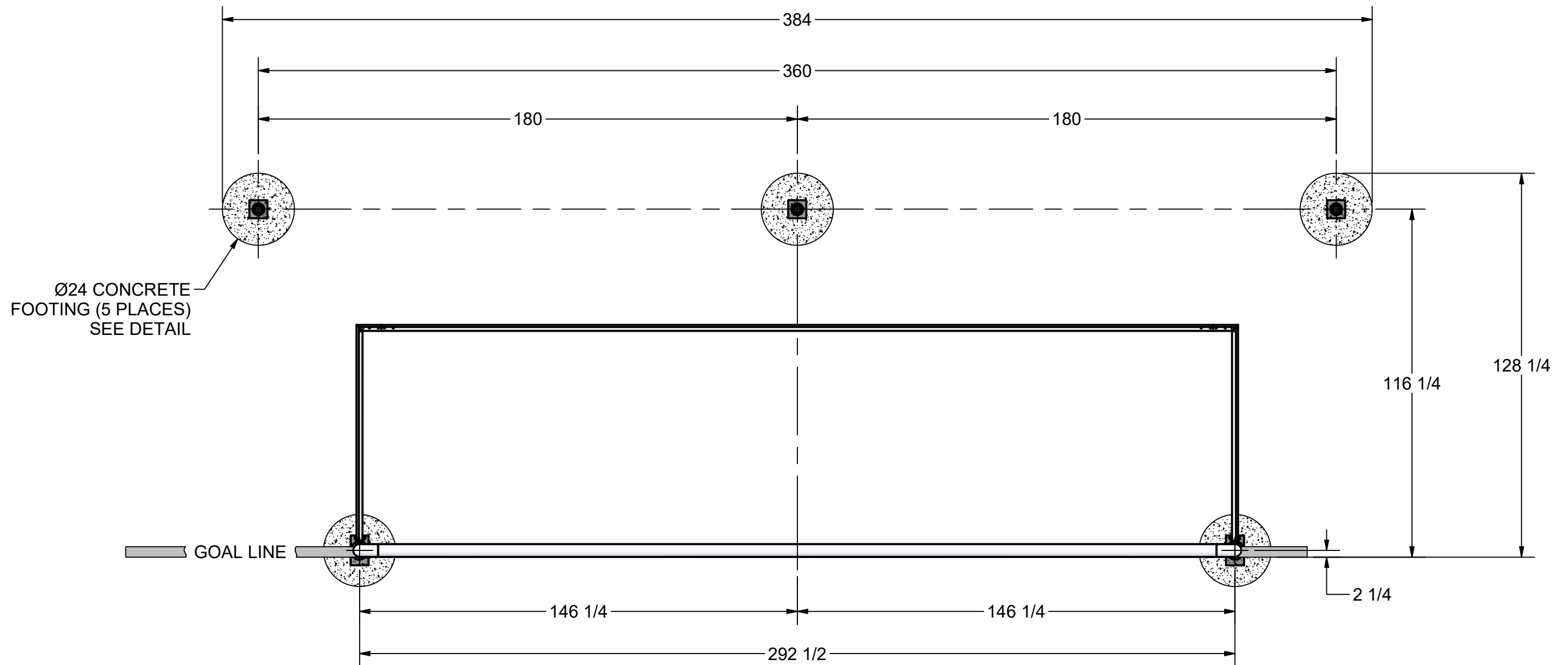
Drawing #:

2B8

Desc:

8' X 24' PRO PREMIER WORLD COMPETITION GOAL WITH NET FRAME

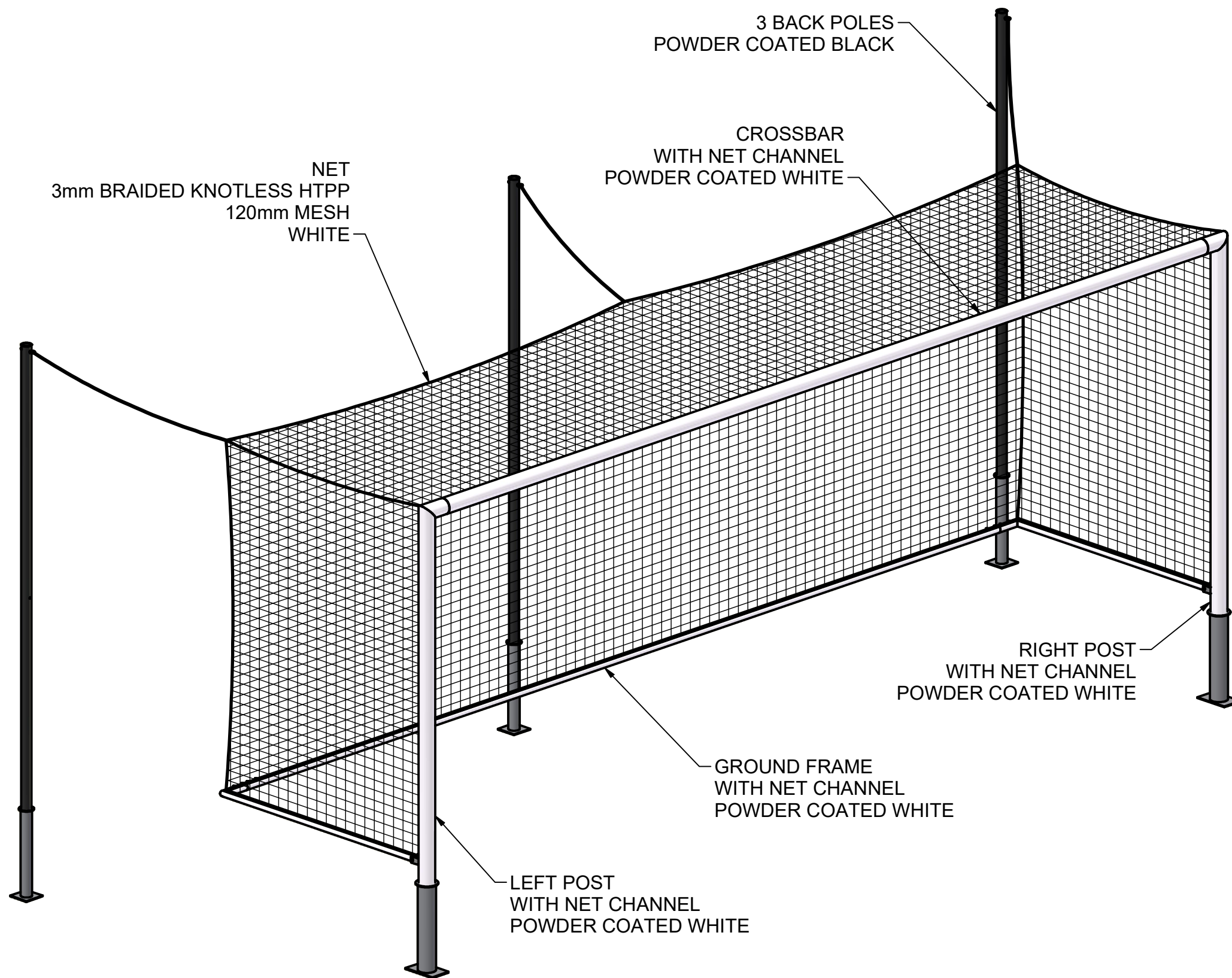
OVERHEAD VIEW



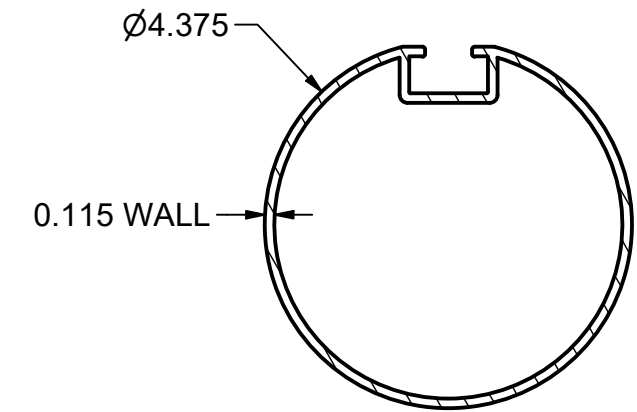
NOTES:

- 1) DIMENSIONS ARE FOR PLANNING PURPOSES. INSTALLATION MUST BE IN ACCORDANCE WITH INSTALLATION INSTRUCTIONS.
- 2) CUSTOMER SUPPLIED MATERIALS FOR GOAL INSTALLATION
  - 1.0 cubic yard - CONCRETE
  - 0.6 cubic yard - CLEAN STONE (1/4" - 3/4")
 ABOVE AMOUNTS ARE PER GOAL INSTALLATION

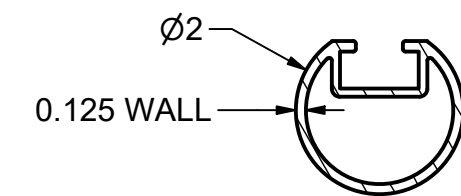
<p>THIRD ANGLE PROJECTION</p>	<p>140 Pacific Drive Quakertown, Pa. 18951</p>	
	DIMENSIONS ARE IN INCHES UNLESS OTHERWISE SPECIFIED	Approved By: Date:
This item is the <b>confidential</b> property of <b>KWIK GOAL LTD.</b> Reproduction or duplication <b>without</b> the express written consent of <b>KWIK GOAL LTD.</b> is <b>strictly forbidden.</b>	Drawn By: cspeck	Desc: 8' X 24' PRO PREMIER WORLD COMPETITION GOAL WITH NET FRAME
	Date: 8/16/2004	
	Sheet: 2 of 4	
	Revision #: 6	
	Cad File: 2B8.idw	



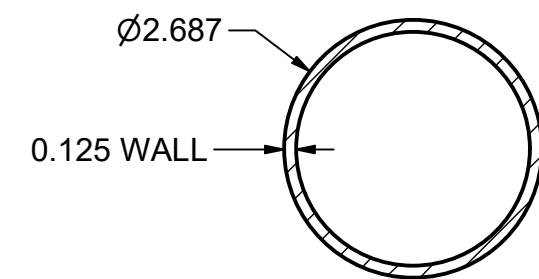
MATERIAL DETAILS



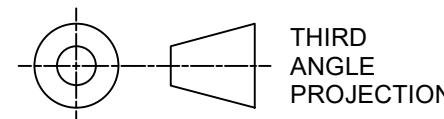
POSTS AND CROSSBAR MATERIAL - ALUMINUM



GROUND FRAME MATERIAL - ALUMINUM



BACK POLES MATERIAL - ALUMINUM



THIRD ANGLE PROJECTION

**KWIKGOAL**® 140 Pacific Drive  
Quakertown, Pa. 18951

DIMENSIONS ARE IN INCHES UNLESS OTHERWISE SPECIFIED

Approved By:  
Date:

Drawing #: **2B8**

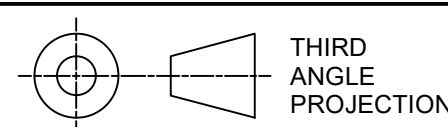
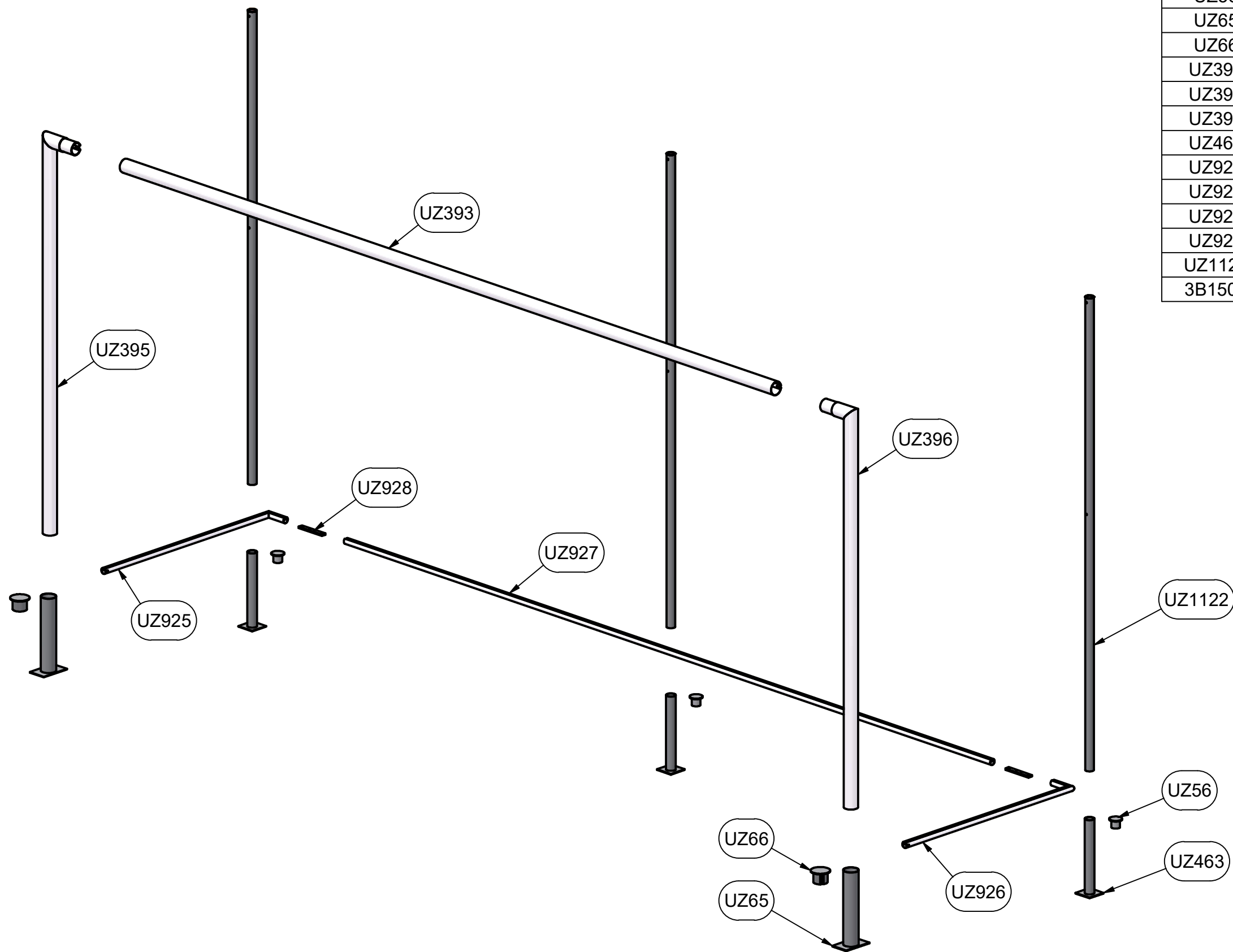
This item is the **confidential** property of **KWIK GOAL LTD.** Reproduction or duplication **without** the express written consent of **KWIK GOAL LTD.** is **strictly forbidden.**

Drawn By: cspeck  
Date: 8/16/2004  
Sheet: 3 of 4  
Revision #: 6  
Cad File: 2B8.idw

Desc: 8' X 24' PRO PREMIER WORLD COMPETITION GOAL WITH NET FRAME

PARTS LIST

PART #	QTY	DESCRIPTION
UZ56	3	GROUND SLEEVE CAP
UZ65	2	GROUND SLEEVE
UZ66	2	GROUND SLEEVE CAP
UZ393	1	CROSSBAR
UZ395	1	LEFT POST
UZ396	1	RIGHT POST
UZ463	3	GROUND SLEEVE
UZ925	1	LEFT BASE, 10B3301
UZ926	1	RIGHT BASE, 10B3301
UZ927	1	REAR TUBE, 10B3301
UZ928	2	TUBE CONNECTOR PLATE
UZ1122	3	2B8 BACK POLE
3B1502	1	NET, 3MM ROPE, 120MM MESH



**KWIKGOAL**® 140 Pacific Drive  
Quakertown, Pa. 18951

DIMENSIONS ARE IN INCHES  
UNLESS OTHERWISE SPECIFIED

Approved By:  
Date:

Drawing #: **2B8**

This item is the **confidential** property of **KWIK GOAL LTD.** Reproduction or duplication **without** the express written consent of **KWIK GOAL LTD.** is **strictly forbidden.**

Drawn By: cspeck  
Date: 8/16/2004  
Sheet: 4 of 4  
Revision #: 6  
Cad File: 2B8.idw

Desc: 8' X 24' PRO PREMIER WORLD COMPETITION GOAL WITH NET FRAME