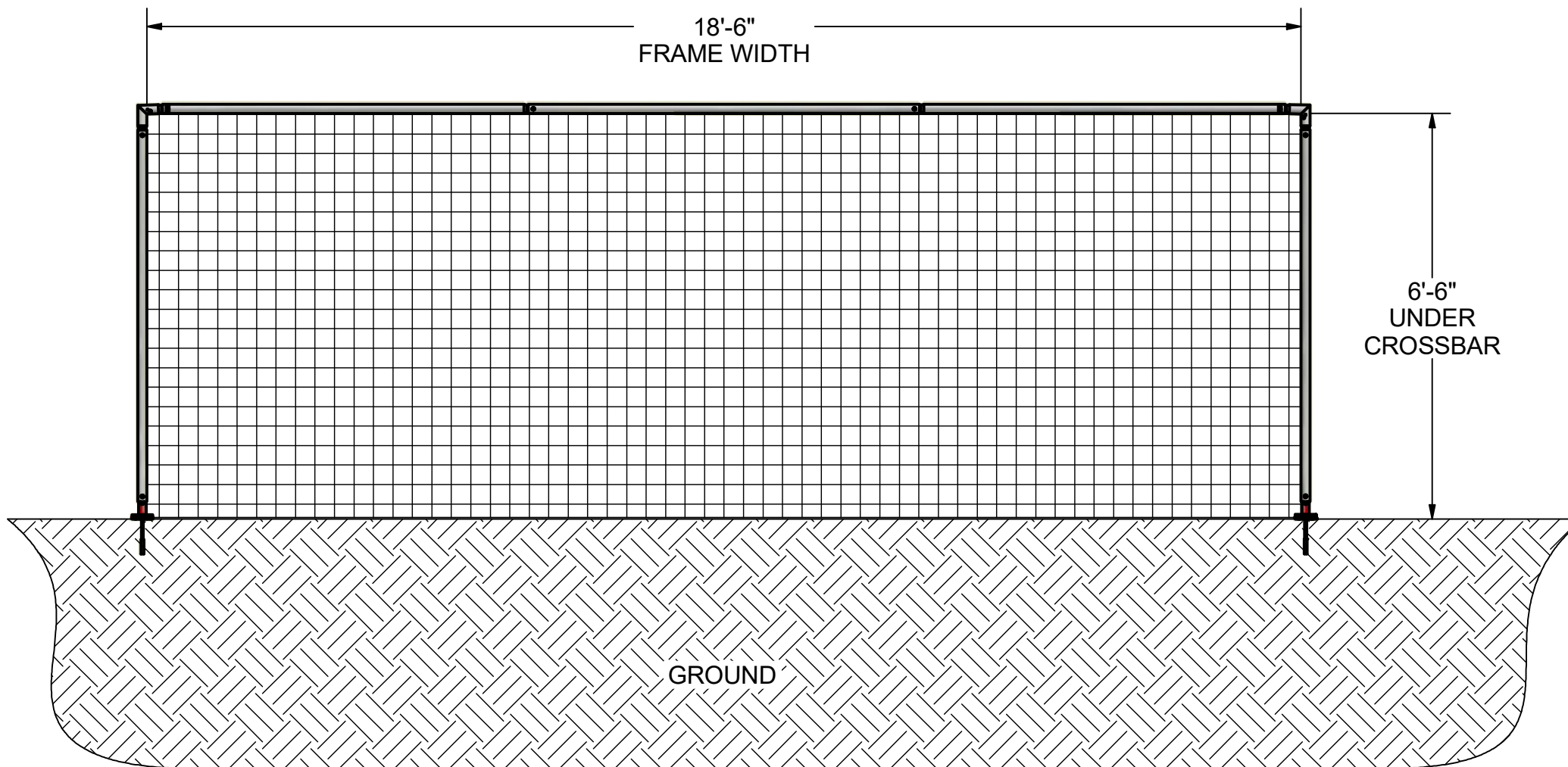
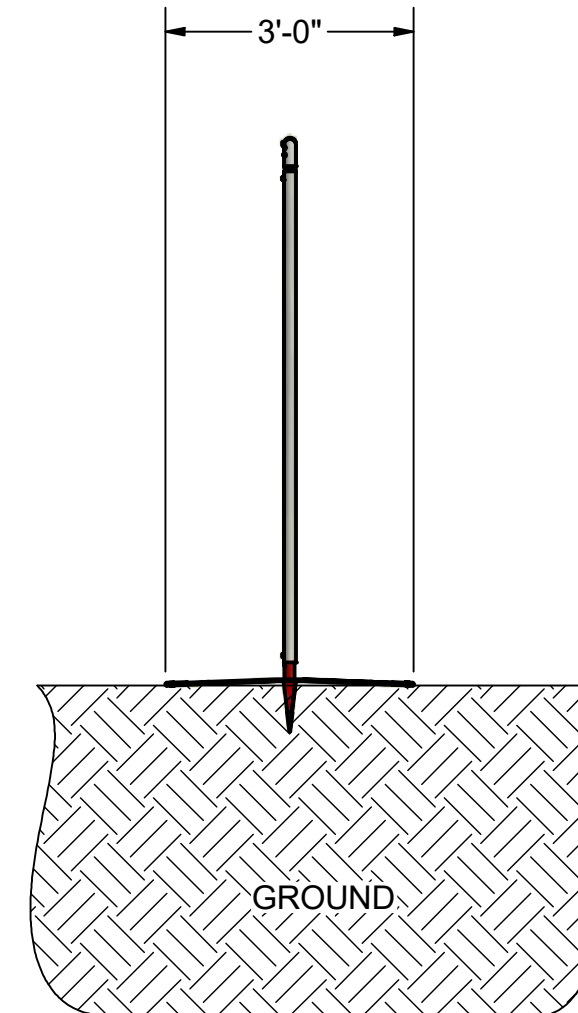


FRONT VIEW

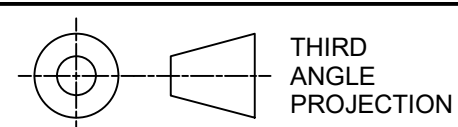


SIDE VIEW



NOTES:

- 1) ALUMINUM FRAME
- 2) FINISH: WHITE POWDER COATED
- 3) INCLUDED:
  - 3 mm, WHITE NET
  - CARRY BAG
- 4) ASSEMBLED WEIGHT: 54 LBS.



THIRD ANGLE PROJECTION

**KWIKGOAL**® 140 Pacific Drive  
Quakertown, Pa. 18951

DIMENSIONS ARE IN INCHES UNLESS OTHERWISE SPECIFIED

Approved By: CSpeck  
Date: 9/8/2016

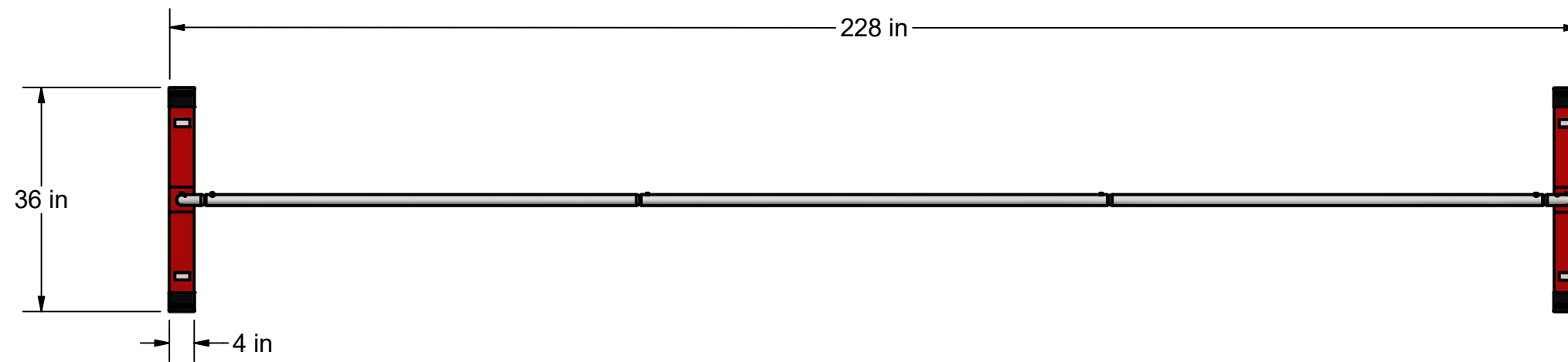
Part #: **WC-185**

This item is the **confidential** property of **KWIK GOAL LTD.** Reproduction or duplication **without** the express written consent of **KWIK GOAL LTD.** is **strictly forbidden.**

Drawn By: jwillenbecher  
Date: 9/2/2016  
Sheet: 1 of 4  
Revision #: 1  
Cad File: WC-185.idw

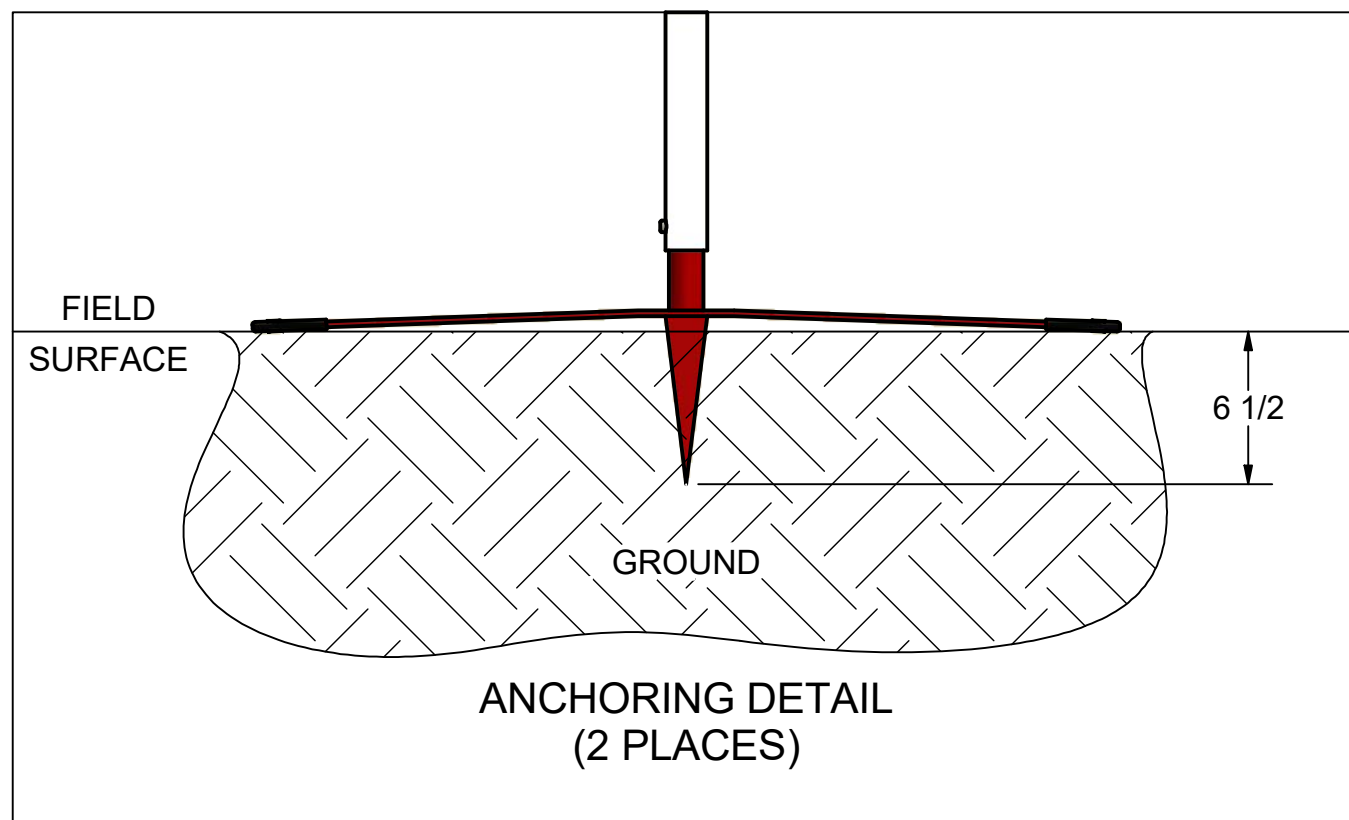
Desc: **NXT TRAINING FRAME**  
6.5' X 18.5'

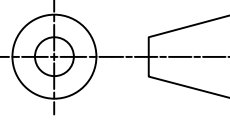

OVERHEAD VIEW

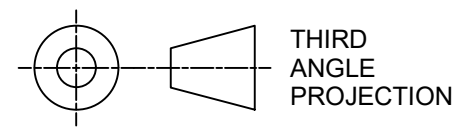
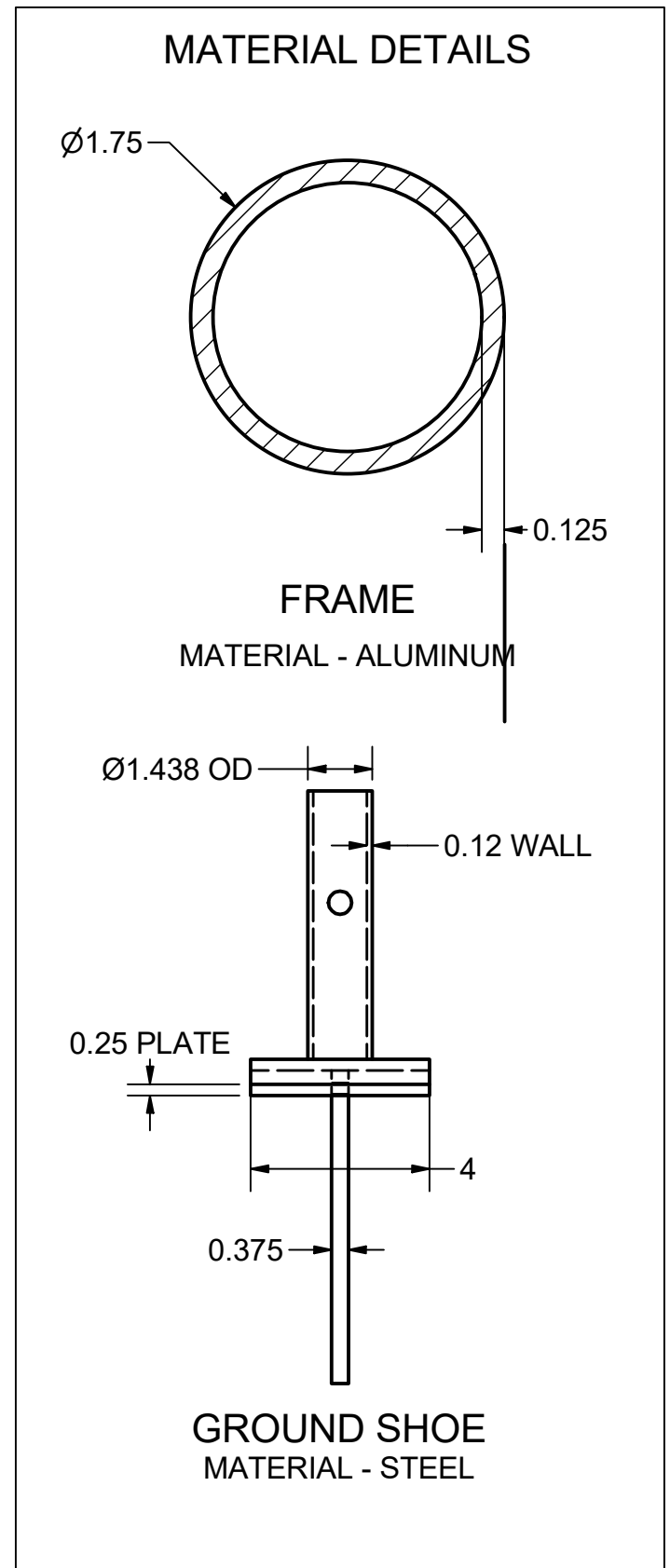
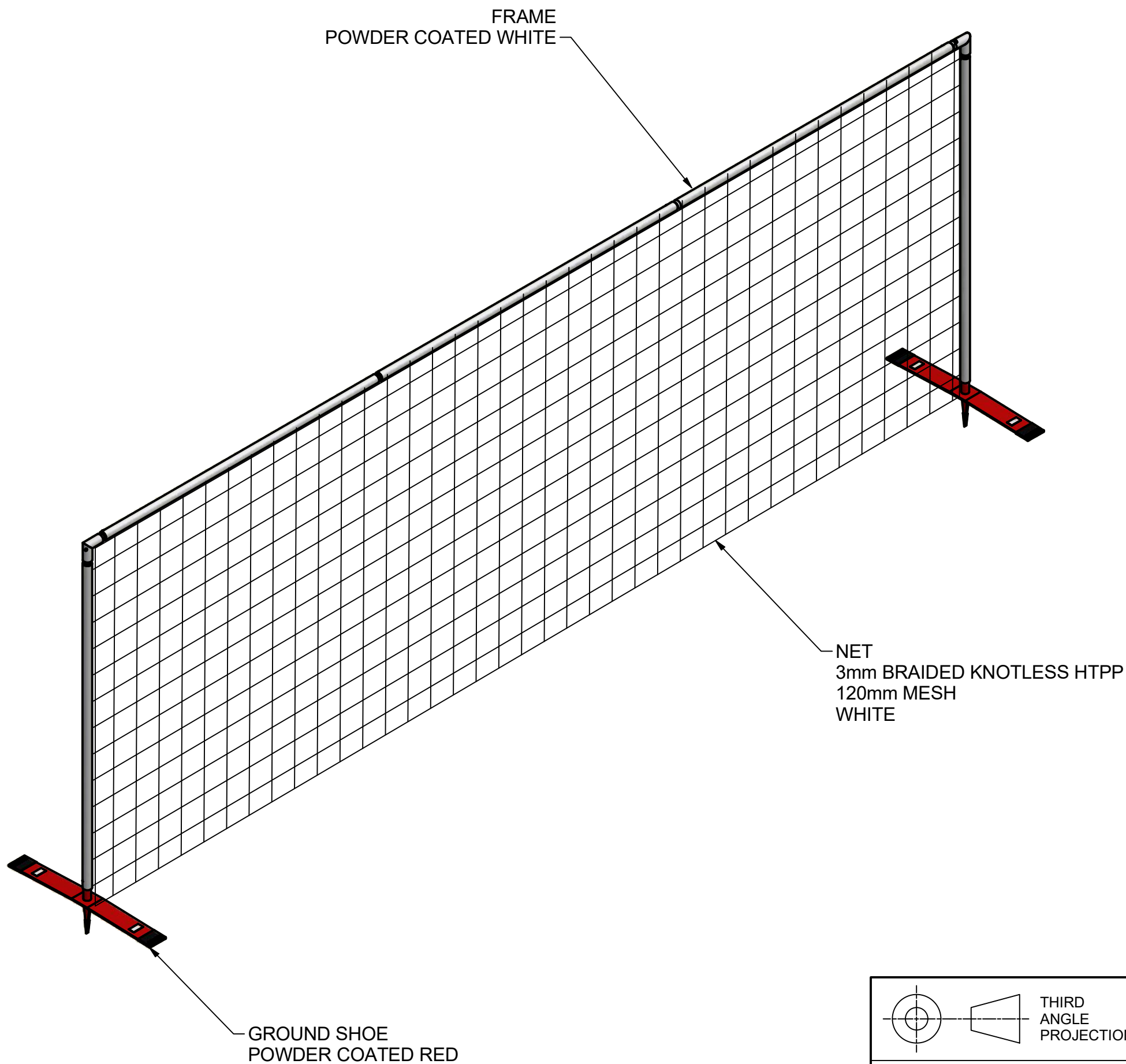


NOTES:

- 1) DIMENSIONS ARE FOR PLANNING PURPOSES. INSTALLATION MUST BE IN ACCORDANCE WITH INSTALLATION INSTRUCTIONS.



 THIRD ANGLE PROJECTION	 <b>KWIKGOAL</b> <sup>®</sup> 140 Pacific Drive Quakertown, Pa. 18951	
	DIMENSIONS ARE IN INCHES UNLESS OTHERWISE SPECIFIED	Approved By: CSpeck Date: 9/8/2016
This item is the <b>confidential</b> property of <b>KWIK GOAL LTD.</b> Reproduction or duplication <b>without</b> the express written consent of <b>KWIK GOAL LTD.</b> is <b>strictly forbidden.</b>	Drawn By: jwillenbecher Date: 9/2/2016	Desc: NXT TRAINING FRAME 6.5' X 18.5'
	Sheet: 2 of 4 Revision #: 1	
	Cad File: WC-185.idw	



**KWIKGOAL**® 140 Pacific Drive  
Quakertown,  
Pa. 18951

DIMENSIONS ARE IN INCHES  
UNLESS OTHERWISE SPECIFIED

Approved By: CSpeck  
Date: 9/8/2016

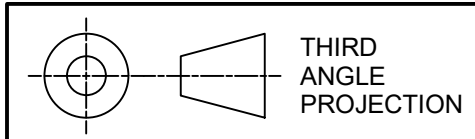
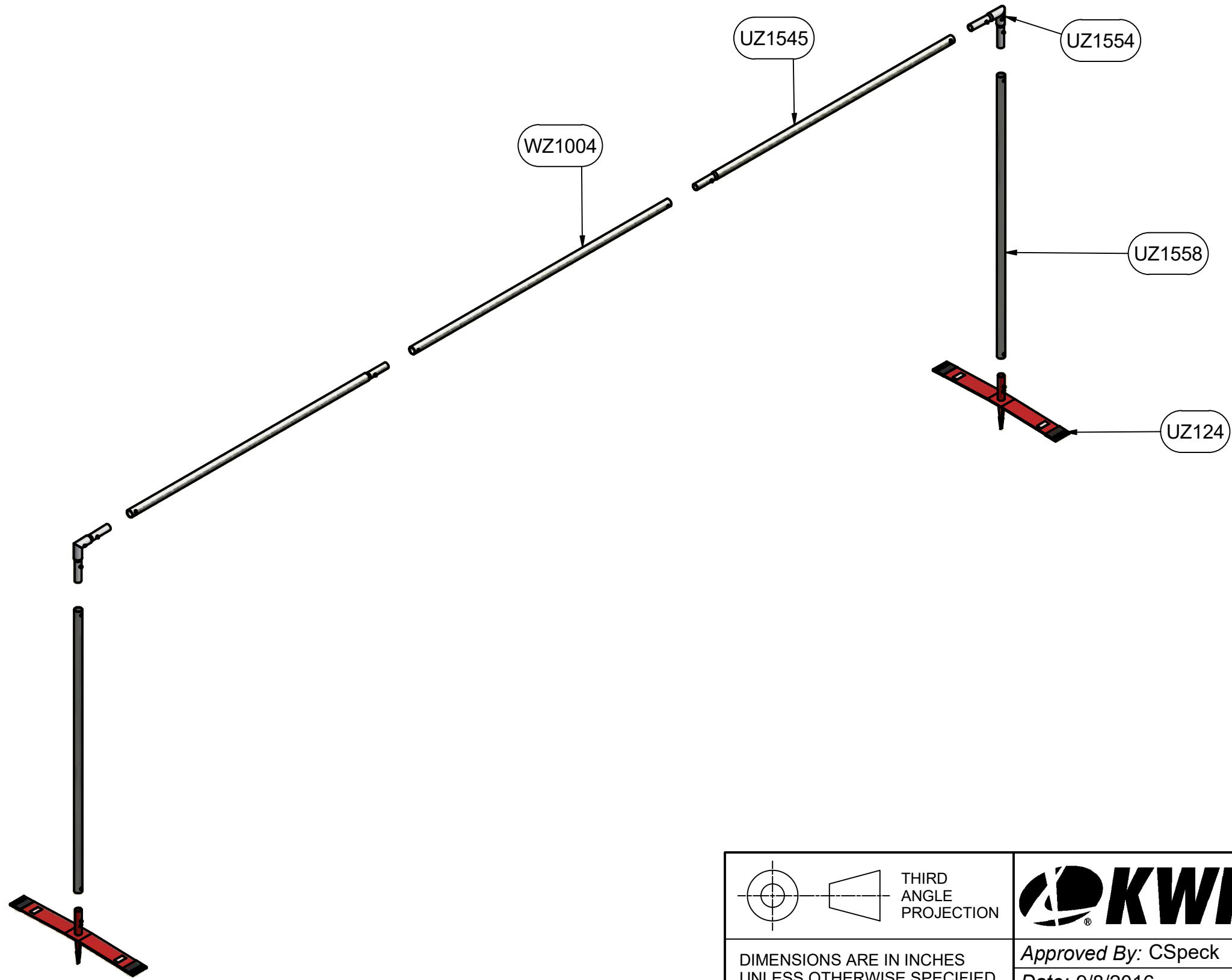
Part #:  
**WC-185**

This item is the **confidential**  
property of **KWIK GOAL LTD.**  
Reproduction or duplication  
**without** the express written  
consent of **KWIK GOAL LTD.**  
is **strictly forbidden.**

Drawn By: jwillenbecher  
Date: 9/2/2016  
Sheet: 3 of 4  
Revision #: 1  
Cad File: WC-185.idw

Desc:  
NXT TRAINING FRAME  
6.5' X 18.5'

PARTS LIST		
PART#	QTY	DESCRIPTION
UZ124	2	GROUND SHOE, NXT TRAINING FRAME
UZ1545	2	CROSSBAR SIDE
UZ1554	2	CROSSBAR CORNER 92°
UZ1558	2	POST
WZ1004	1	CROSSBAR CENTER
WC-185GAW	1	NET, NXT TRAINING FRAME



**KWIKGOAL**® 140 Pacific Drive  
Quakertown, Pa. 18951

DIMENSIONS ARE IN INCHES  
UNLESS OTHERWISE SPECIFIED

Approved By: CSpeck  
Date: 9/8/2016

Part #: **WC-185**

This item is the **confidential** property of **KWIK GOAL LTD.** Reproduction or duplication **without** the express written consent of **KWIK GOAL LTD.** is **strictly forbidden.**

Drawn By: jwillenbecher  
Date: 9/2/2016  
Sheet: 4 of 4  
Revision #: 1  
Cad File: WC-185.idw

Desc: NXT TRAINING FRAME  
6.5' X 18.5'