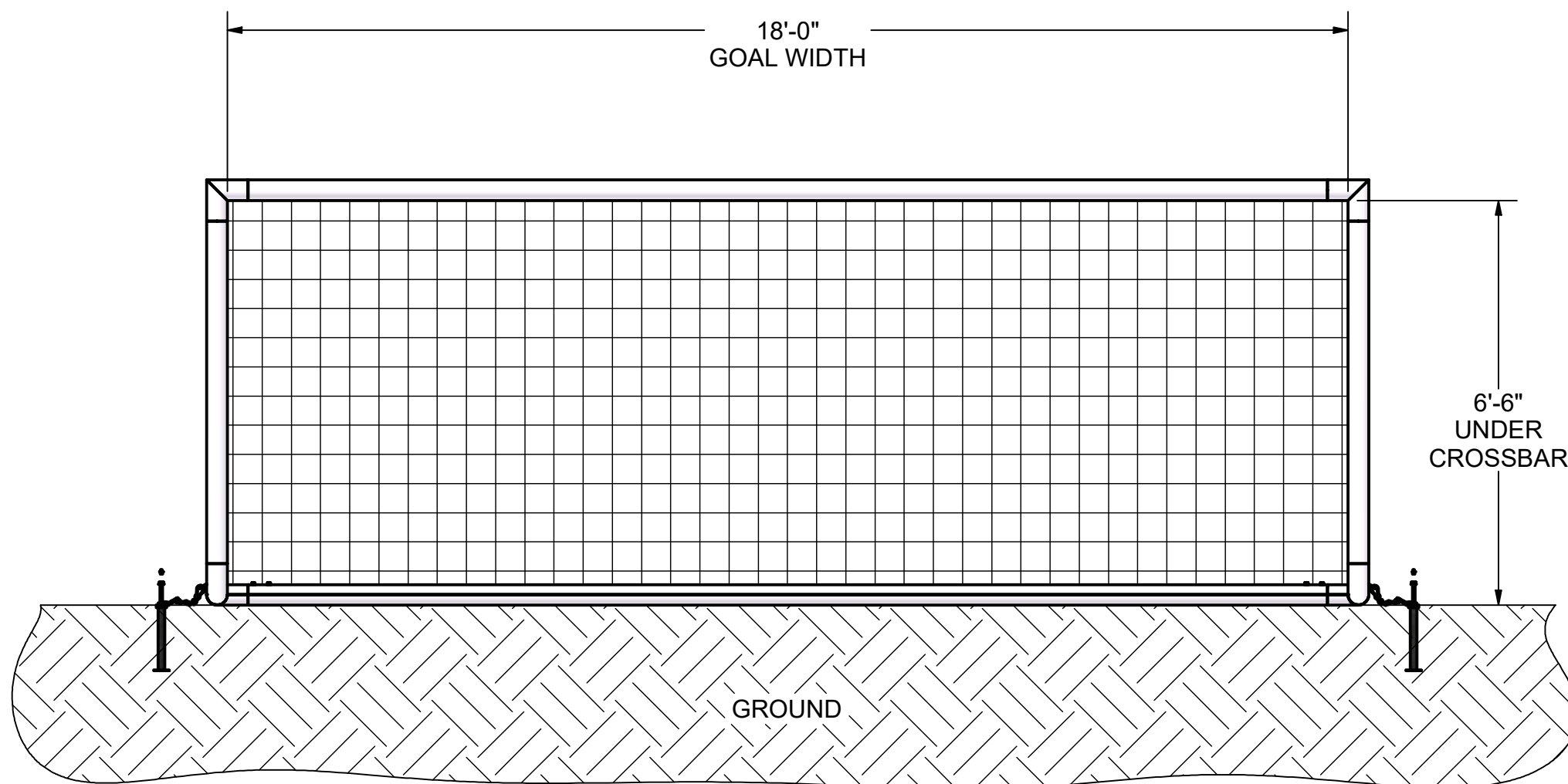
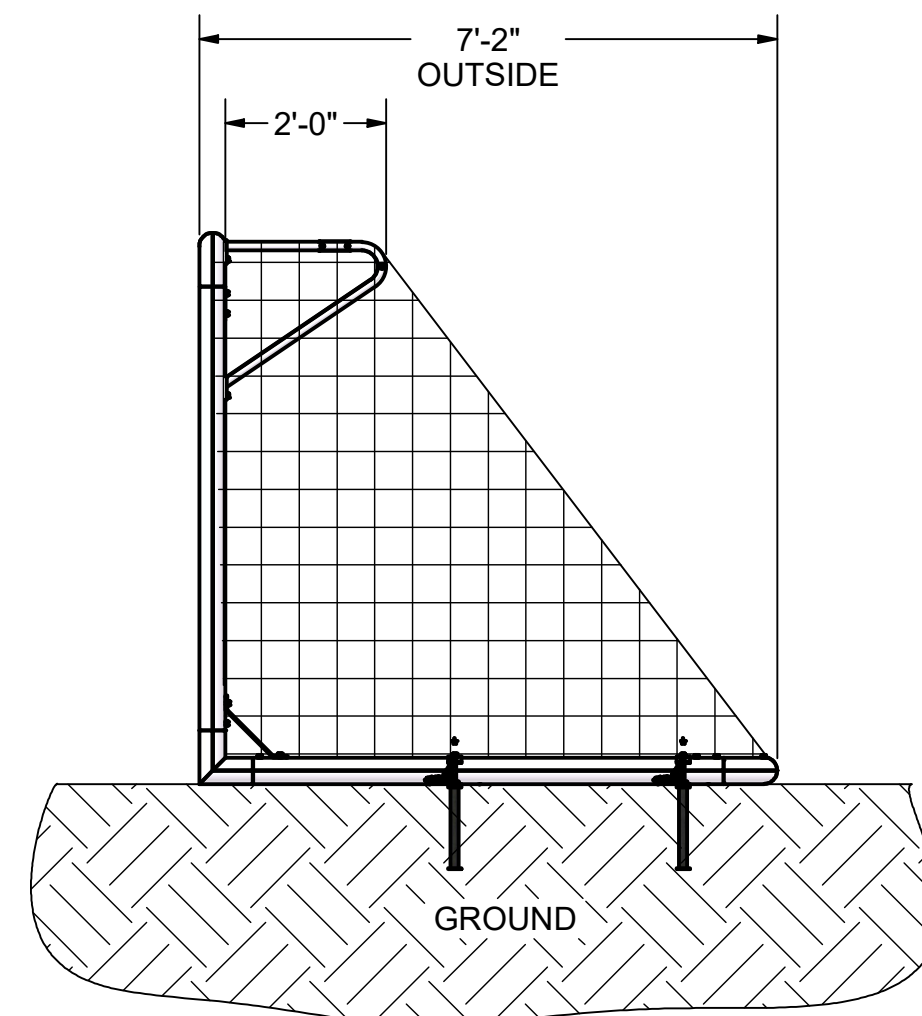


FRONT VIEW

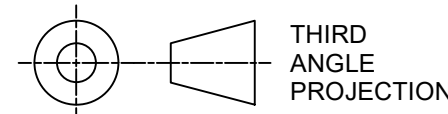


SIDE VIEW



FEATURES:

- 1) ALUMINUM GOAL FRAME AND BACKSTAYS
- 2) FINISH: WHITE POWDER COAT
- 3) INCLUDED:
 - SEMI-PERMANENT GROUND ANCHORS
 - 3 mm, WHITE NET
 - KWIK LOCK® NET CLIPS
- 4) ASSEMBLED GOAL WEIGHT: 154 LBS.
- 5) EXCEEDS:
 - ASTM F2950-14 STANDARDS



THIRD ANGLE PROJECTION

KWIKGOAL® 140 Pacific Drive
Quakertown, Pa. 18951

DIMENSIONS ARE IN INCHES UNLESS OTHERWISE SPECIFIED

Approved By:
Date:

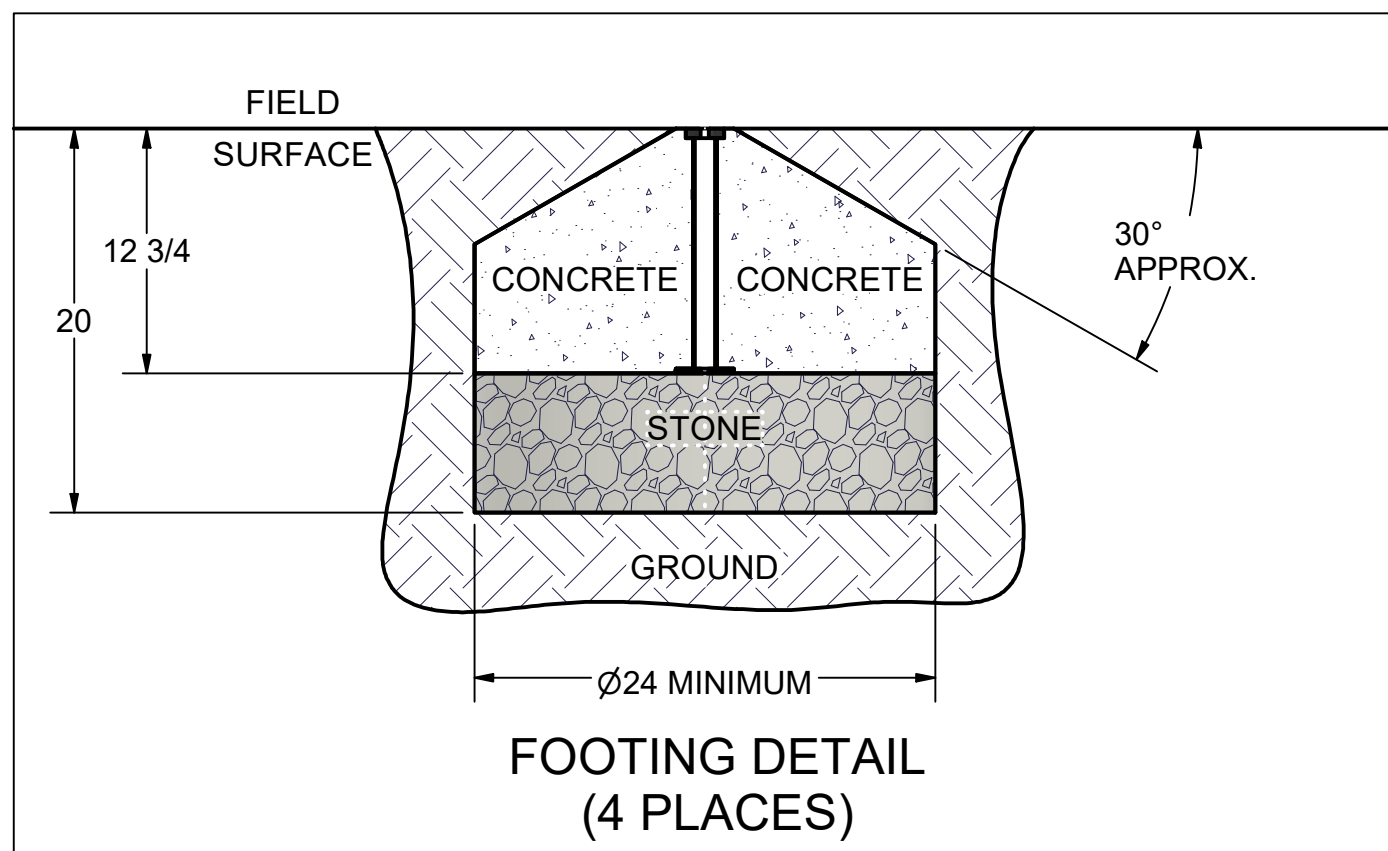
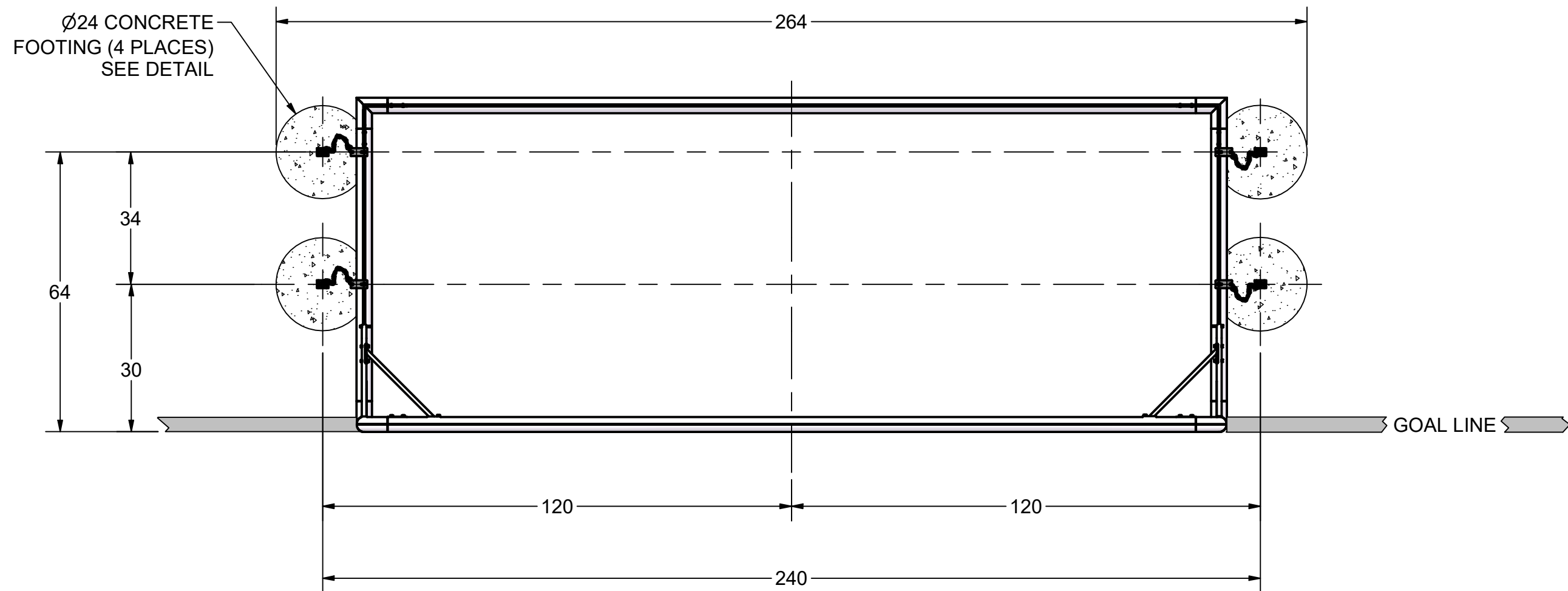
Drawing #:
25B386518

This item is the **confidential** property of **KWIK GOAL LTD.** Reproduction or duplication **without** the express written consent of **KWIK GOAL LTD.** is **strictly forbidden.**

Drawn By: JSchrader
Date: 2/23/2022
Sheet: 1 of 4
Revision #:
Cad File: 25B386518.idw

Desc:
6-1/2' X 18' CANADIAN FUSION GOAL

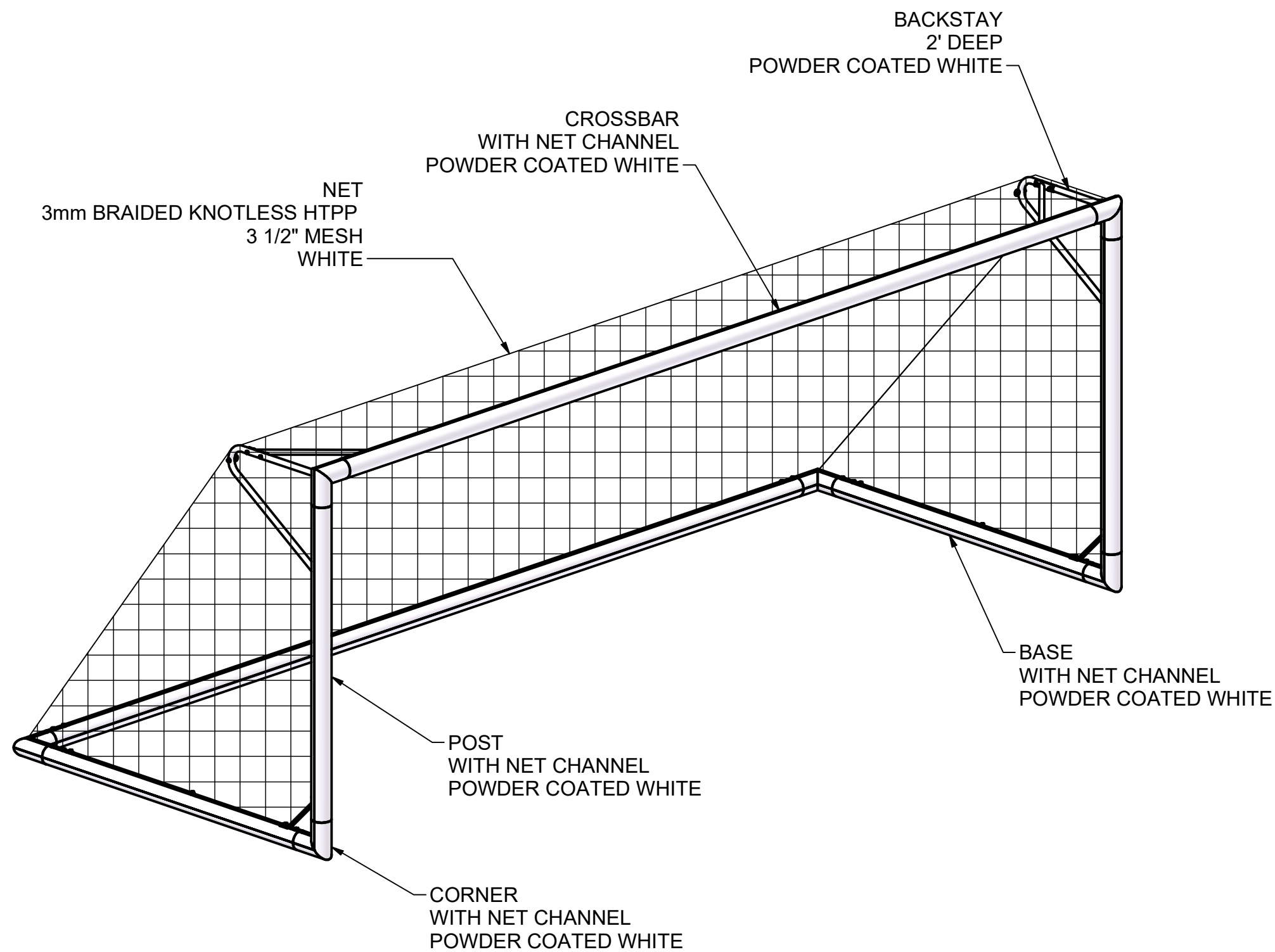
OVERHEAD VIEW



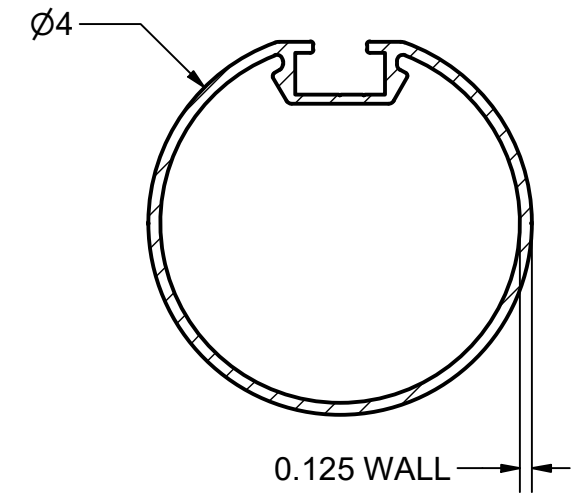
NOTES:

- 1) DIMENSIONS ARE FOR PLANNING PURPOSES. INSTALLATION MUST BE IN ACCORDANCE WITH INSTALLATION INSTRUCTIONS.
- 2) CUSTOMER SUPPLIED MATERIALS FOR GOAL INSTALLATION
 0.5 cubic yard - CONCRETE
 0.3 cubic yard - CLEAN STONE (1/4" - 3/4")
 ABOVE AMOUNTS ARE PER GOAL INSTALLATION

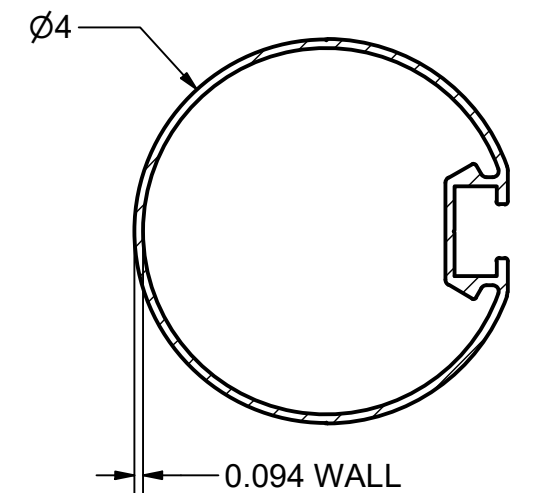
 THIRD ANGLE PROJECTION	 KWIKGOAL ® 140 Pacific Drive Quakertown, Pa. 18951	
	DIMENSIONS ARE IN INCHES UNLESS OTHERWISE SPECIFIED	Approved By: Date:
This item is the confidential property of KWIK GOAL LTD. Reproduction or duplication without the express written consent of KWIK GOAL LTD. is strictly forbidden.	Drawn By: JSchrader Date: 2/23/2022 Sheet: 2 of 4 Revision #:	Desc: 6-1/2' X 18' CANADIAN FUSION GOAL
	Cad File: 25B386518.idw	



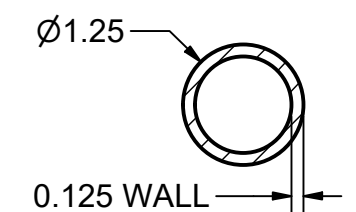
MATERIAL DETAILS



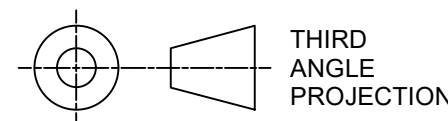
POSTS, BASES & CORNERS
MATERIAL - ALUMINUM



CROSSBARS
MATERIAL - ALUMINUM



BACKSTAY
MATERIAL - ALUMINUM



KWIKGOAL® 140 Pacific Drive
Quakertown,
Pa. 18951

DIMENSIONS ARE IN INCHES
UNLESS OTHERWISE SPECIFIED

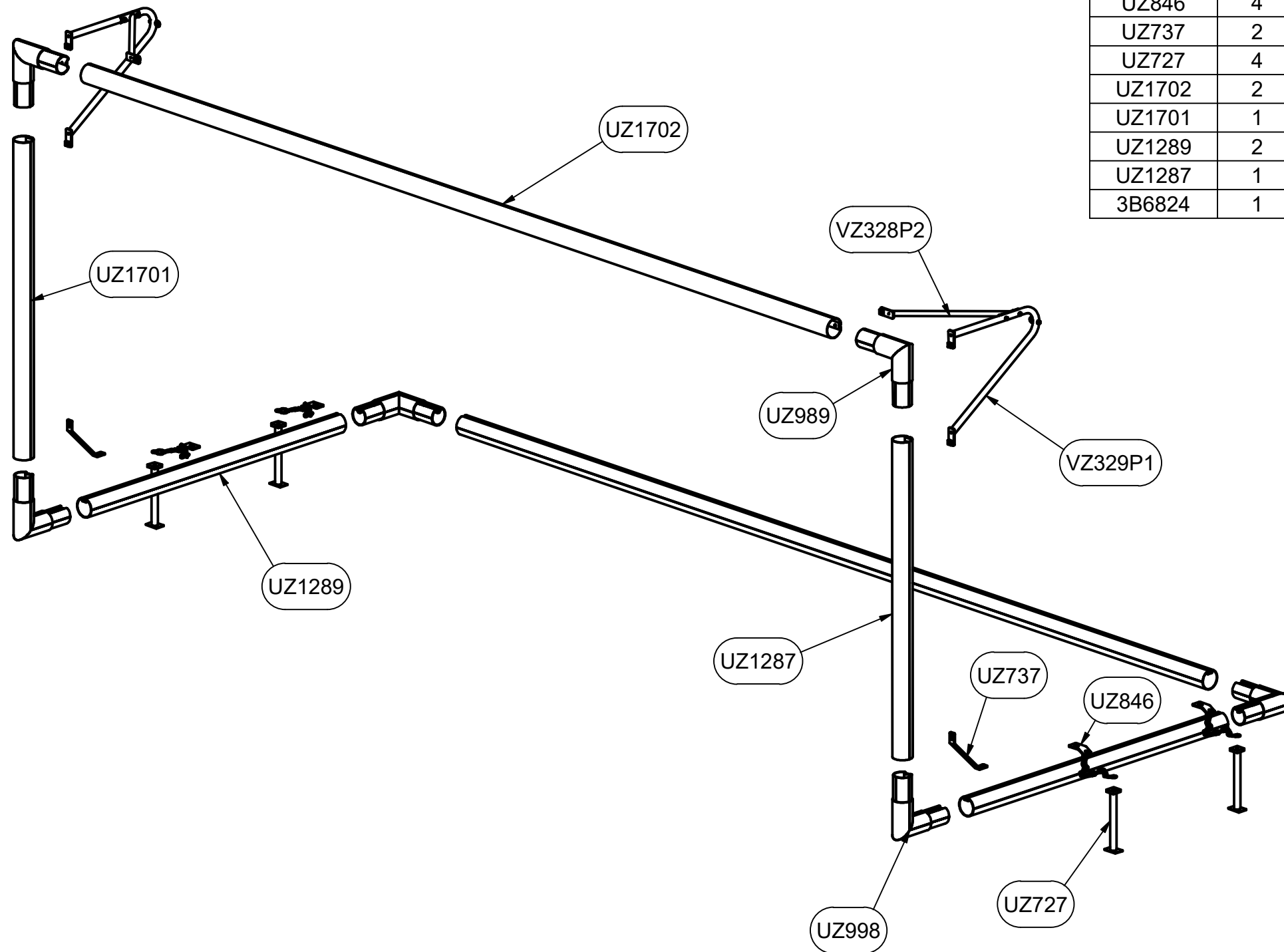
Approved By:
Date:

Drawing #:
25B386518

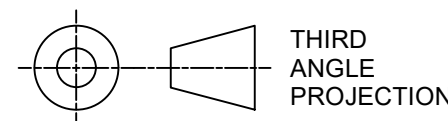
This item is the **confidential** property of **KWIK GOAL LTD.** Reproduction or duplication **without** the express written consent of **KWIK GOAL LTD.** is **strictly forbidden.**

Drawn By: JSchrader
Date: 2/23/2022
Sheet: 3 of 4
Revision #:
Cad File: 25B386518.idw

Desc:
6-1/2' X 18' CANADIAN
FUSION GOAL



PARTS LIST		
Part #	Qty	Description
VZ329P1	2	BACKSTAY
VZ328P2	2	BACKSTAY BRACE
UZ998	2	POST CORNER
UZ989	4	CROSSBAR CORNER
UZ846	4	CHAIN ASSY, GROUND ANCHOR
UZ737	2	POST BRACE
UZ727	4	GROUND ANCHOR ASSEMBLY
UZ1702	2	CROSSBAR
UZ1701	1	POST, LEFT
UZ1289	2	BASE
UZ1287	1	POST, RIGHT
3B6824	1	NET, SOCCER GOAL



THIRD
ANGLE
PROJECTION



KWIKGOAL

140 Pacific Drive
Quakertown,
Pa. 18951

DIMENSIONS ARE IN INCHES
UNLESS OTHERWISE SPECIFIED

Approved By:

Drawing #:

Date:

25B386518

This item is the **confidential**
property of **KWIK GOAL LTD.**
Reproduction or duplication
without the express written
consent of **KWIK GOAL LTD.**
is **strictly forbidden.**

Drawn By: JSchrader

Desc:

Date: 2/23/2022

6-1/2' X 18' CANADIAN
FUSION GOAL

Sheet: 4 of 4

Revision #:

Cad File: 25B386518.idw